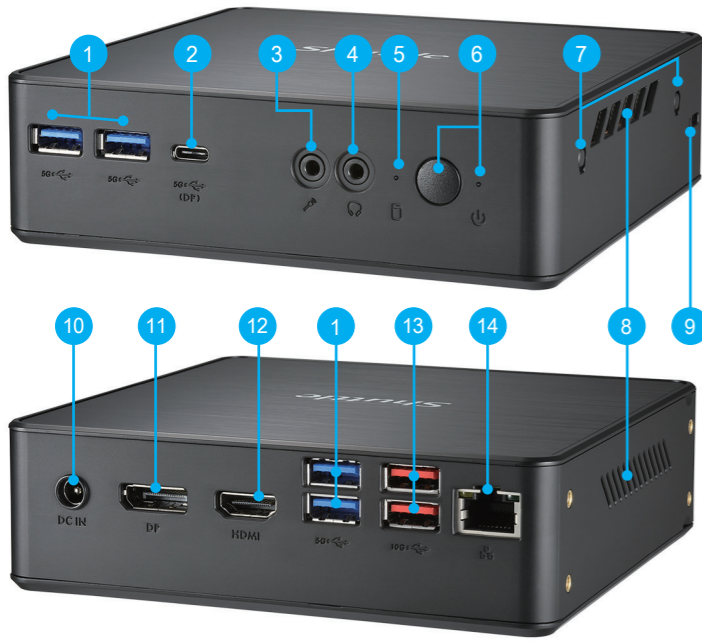


More information on this product can be found at: <https://bit.ly/NC40USERIES>  
 更多本產品資訊，請蒞臨：<https://bit.ly/NC40USERIES>  
 Weitere Informationen zu diesem Produkt finden Sie unter: <https://bit.ly/NC40USERIES>  
 Pour plus d'informations sur ce produit, visitez: <https://bit.ly/NC40USERIES>

Puede encontrar más información sobre este producto en: <https://bit.ly/NC40USERIES>  
 本製品の詳細な情報については、次のURLより確認頂けます。<https://bit.ly/NC40USERIES>  
 Для получения дополнительной информации об этом продукте перейдите по ссылке: <https://bit.ly/NC40USERIES>  
 更多本产品信息，请访问：<https://bit.ly/NC40USERIES>

Product Overview

產品外觀 \ Produktübersicht \ Présentation du produit \ Resumen del producto \ 製品概要 \ Обзор продукта \ 产品外观



1. USB 3.2 Gen1 Type-A ports
2. USB 3.2 Gen1 Type-C Port (w/DP)
3. MIC-in
4. Headphones
5. Hard disk drive LED
6. Power switch / Power LED
7. Perforation for optional WLAN
8. Ventilation Hole
9. Kensington® Lock Hole
10. Power Jack (DC IN)
11. DisplayPort
12. HDMI 2.0 Port
13. USB 3.2 Gen2 Type-A ports
14. LAN Port

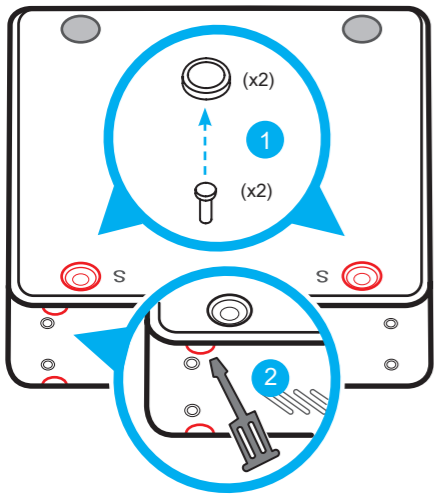
Hardware Installation

硬體安裝 \ Hardware Installation \ Installation du matériel \ Instalación de hardware  
 ハードウェアのインストール \ Установка оборудования \ 硬件安裝

A. Begin Installation

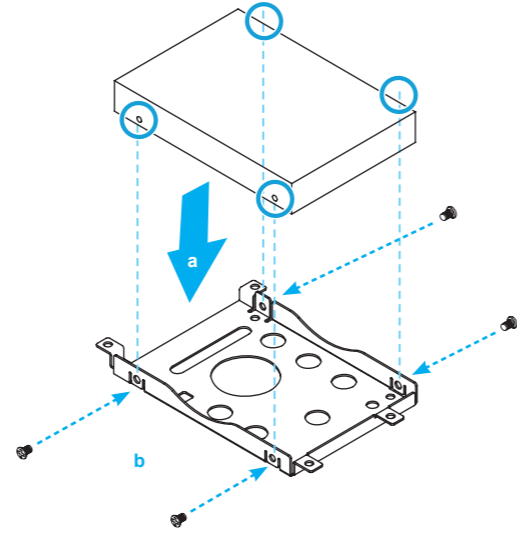
⚠ For safety reasons, please ensure that the power cord is disconnected before opening the case.

1. Unscrew two screws of the back cover and remove it.



B. Component Installation

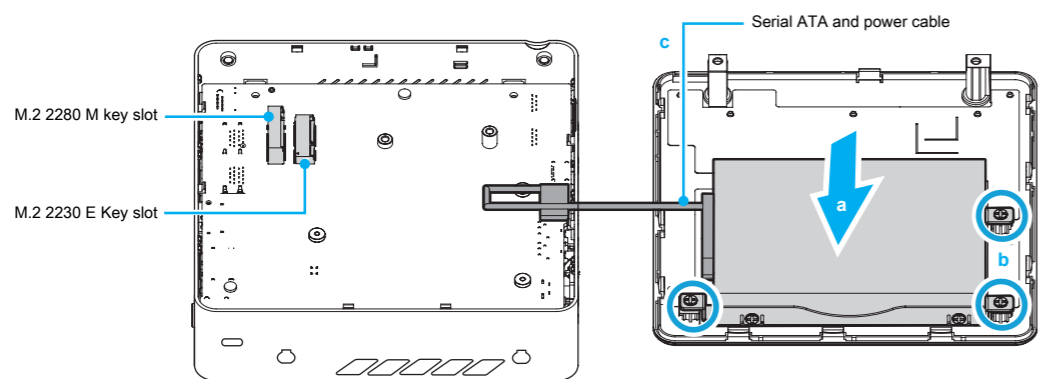
1. Place an HDD or SSD in the rack and secure with the four screws from the sides.



⚡ The product's colour and specifications may vary from the actually shipping product.

2. Put the rack back into the back cover and refasten the screw. Connect the Serial ATA and power cable to the HDD or SSD.

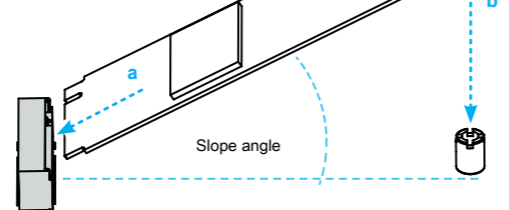
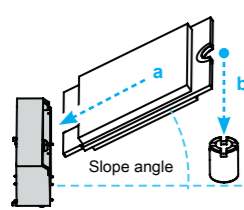
⚠ This model supports 2.5" SATA HDDs and SSDs up to a thickness of 15mm.



3. Locate the M.2 key slots on the motherboard. Install the M.2 device into the M.2 slot and secure with the screw.

➤ M.2 2230 E Key slot

➤ M.2 2280 M key slot



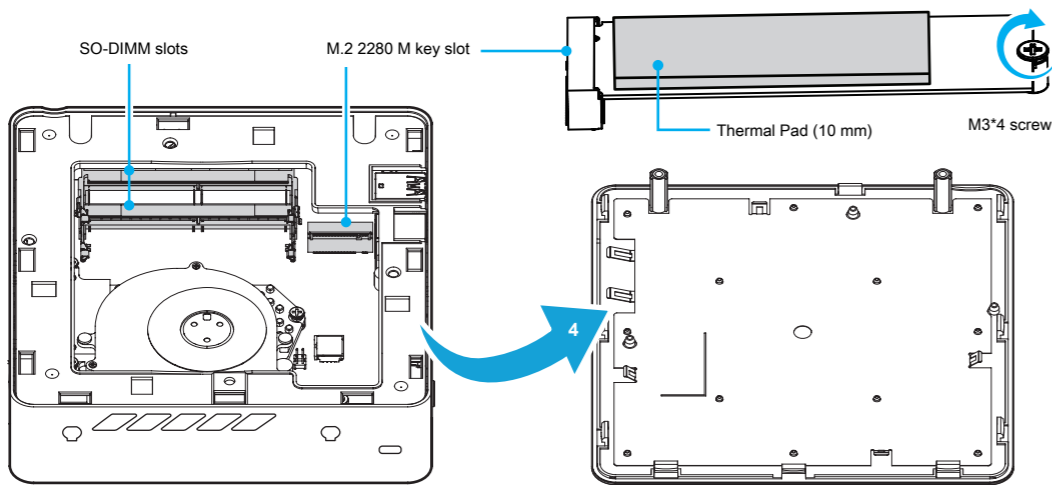
M3\*4 screw

Thermal Pad (8 mm)

M3\*4 screw

⚠ Pasting the supplied thermal pad on the M.2 SSD can effectively reduce its temperature.

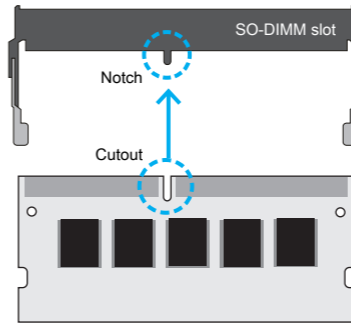
4. Replace the back cover. Turn your NC40U upside down and remove the other cover.
5. Please install device into the M.2 slot on top side by steps B3. if you need.



6. Locate the SO-DIMM slots on the motherboard.

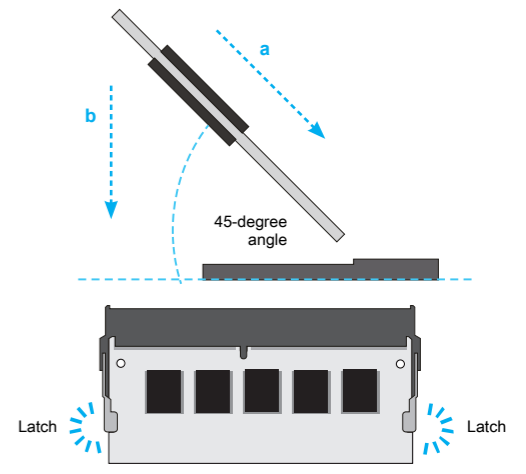
⚠ This motherboard does only support 1.2 V DDR4 SO-DIMM memory modules.

7. Align the notch of the memory module with the one of the relevant memory slot.



8. Gently insert the module into the slot in a 45-degree angle.

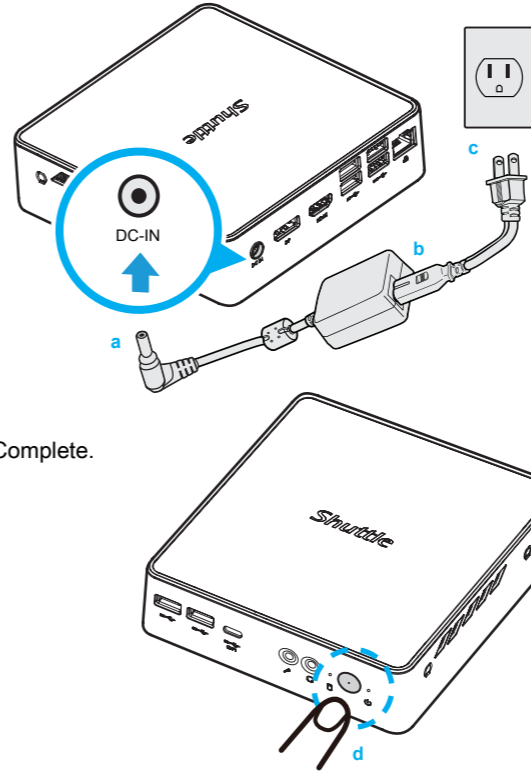
9. Carefully push down the memory module until it snaps into the locking mechanism.



10. Repeat the above steps to install an additional memory module, if required.

C. Connecting to Power

1. Please replace and affix the case cover with two screws, then connect the power cord.

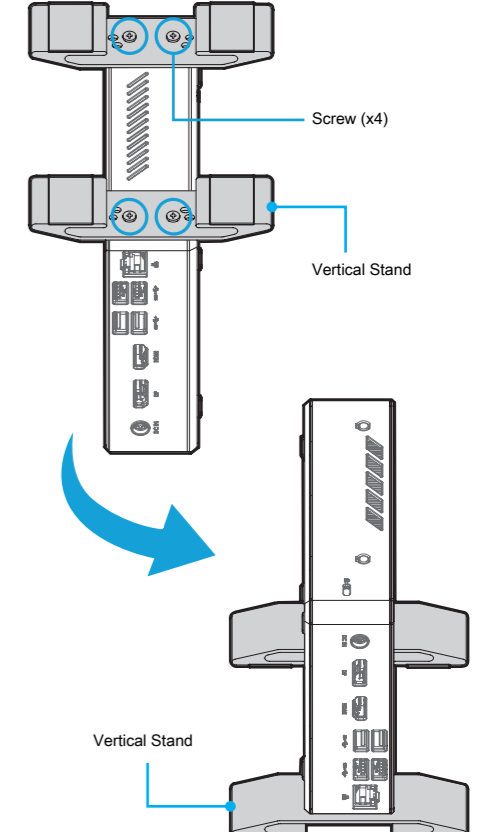


2. Complete.

⚠ Please press the "Del" key while booting to enter BIOS. Here, please load the optimised BIOS settings.

Using the Vertical Stand (optional)

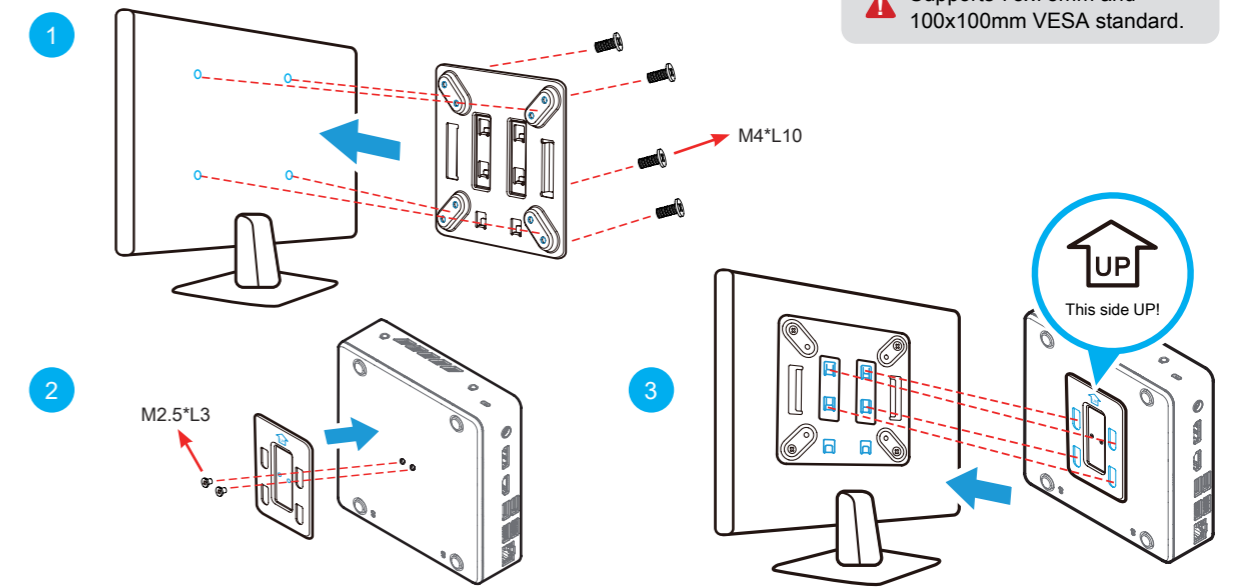
Install the vertical stand and check if it is properly aligned, then tighten securely with four screws.



Installation of VESA Mount (optional)

➤ Follow the steps 1-3 to install the VESA mount.

⚠ Supports 75x75mm and 100x100mm VESA standard.



Safety Information

安全資訊 \ Sicherheitshinweise \ Informations de sécurité \ Información de seguridad  
 安全に関する情報 \ Информация о безопасности \ 安全信息

⚠ Incorrectly replacing the battery may damage this computer. Replace only with the same or equivalent as recommended by Shuttle.  
 Dispose of used batteries in accordance with the laws of your country.  
 更換電池方式錯誤可能會損壞本電腦以及引發爆炸、火災或其他危險。  
 僅能依 Shuttle 的建議，以相同或同等的電池更換。  
 請根據您所在國家/地區的法律規定處理廢電池。  
 Das unkorrekte Austauschen der Batterie kann diesen Computer beschädigen. Ersetzen Sie die Batterie nur durch den gleichen Typ oder ein gleichwertiges, von Shuttle empfohlenes Modell. Entsorgen Sie gebrauchte Batterien gemäß den gesetzlichen Vorschriften in Ihrem Land.  
 Ne pas remplacer correctement la pile peut endommager l'ordinateur. Remplacez-la uniquement par un modèle identique ou un équivalent comme recommandé par Shuttle. Éliminez les piles usagées conformément à la législation en vigueur dans votre pays.

La sustitución incorrecta de la batería puede dañar este equipo. Sustituya la batería únicamente por una igual o equivalente recomendada por Shuttle. Elimine las pilas usadas de acuerdo con los requisitos legales de su país.  
 バッテリーを間違っでセットすると、このコンピュータが損傷する原因となります。交換する際は、Shuttle が推奨するバッテリーと同じものまたは同等のものだけを使用するようにしてください。使用済みのバッテリーは、お住みの国の法律に従って処分してください。  
 Неправильная замена батареи может привести к повреждению компьютера. Батарея должна соответствовать стандарту производителя Shuttle или быть идентичной предыдущей. Утилизируйте использованные батареи в соответствии с законодательством вашей страны.  
 更換電池方式錯誤可能會損壞本電腦。僅能依 Shuttle 的建議，以相同或同等的電池更換。請根據您所在國家/地區的法律規定處理廢電池。

This device complies with Part 15 of the FCC Rules. Operation is subject to the following two conditions: (1) this device may not cause harmful interference, and (2) this device must accept any interference received, including interference that may cause undesired operation.

CE This device meets the requirements for the EU conformity in accordance to the currently valid EU directives.  
 Dieses Produkt erfüllt die Anforderungen für die EU-Konformität entsprechend der aktuell geltenden EU-Richtlinien.  
 Ce produit répond aux exigences de la conformité UE suivant les directives européennes actuellement en vigueur.

**WARNING** THIS PRODUCT CONTAINS A BUTTON BATTERY  
 If swallowed, a lithium button battery can cause severe or fatal injuries within 2 hours.  
 Keep batteries out of reach of children.  
 If you think batteries may have been swallowed or placed inside any part of the body, seek immediate medical attention.

注意：仅适用于海拔 2000m 以下安全使用。在海拔 2000m 以上使用时，可能有安全隐惠。  
 注意：仅适用于在非热带气候条件下安全使用。在热带气候条件下使用时，可能有安全隐惠。  
 注意：允许产品使用的最高环境温度为 40°C。  
 \* The equipment was evaluated for use in a maximum air ambient temperature of 40°C.  
 產品宣告最大適用環境溫度為 40°C。

All bundled parts, power cord included, shall not be used without this product.  
 電源ケーブル等、すべての付属品は本機以外ではご使用になれません。

**The product contains non-replaceable batteries**  
 The statement "remove and immediately recycle or dispose of used batteries according to local regulations and keep away from children. Do NOT dispose of batteries in household trash or incinerate."  
 (a) Remove and immediately recycle or dispose of used batteries according to local regulations and keep away from children. Do NOT dispose of batteries in household trash or incinerate.  
 (b) Even used batteries may cause severe injury or death.  
 (c) Call a local poison control center for treatment information.  
 (d) Indicating the compatible battery type CR2032.  
 (e) Indicating the nominal battery voltage.  
 (f) Non-rechargeable batteries are not to be recharged.  
 (g) Do not force discharge, recharge, disassemble, heat above (manufacturer's specified temperature rating) or incinerate. Doing so may result in injury due to venting, leakage or explosion resulting in chemical burns.

