

More information on this product can be found at: http://bit.ly/SW580R8
更多本產品資訊, 請查閱: http://bit.ly/SW580R8
Weitere Informationen zu diesem Produkt finden Sie unter: http://bit.ly/SW580R8
Pour plus d'informations sur ce produit, visitez: http://bit.ly/SW580R8

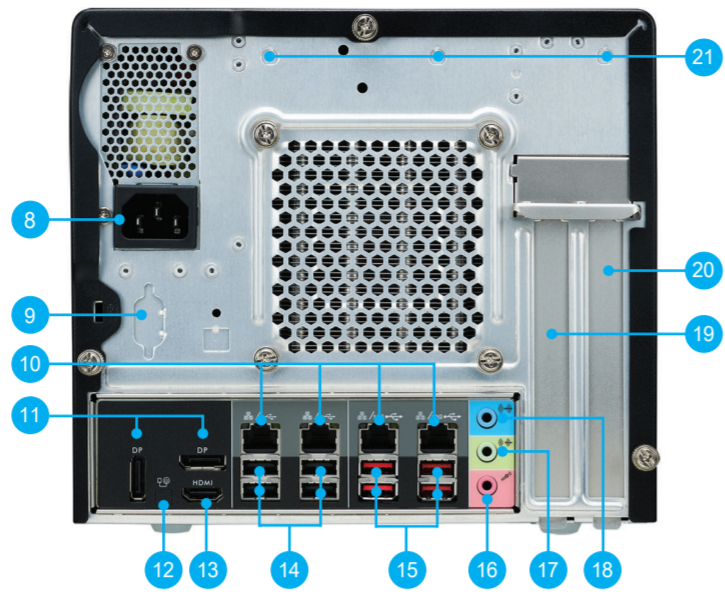
Puede encontrar más información sobre este producto en: http://bit.ly/SW580R8
本製品の詳細な情報については、次のURLよりご確認ください。http://bit.ly/SW580R8
Для получения дополнительной информации об этом продукте перейдите по ссылке: http://bit.ly/SW580R8
更多本產品信息, 請訪問: http://bit.ly/SW580R8

Product Overview

產品外觀 \ Produktübersicht \ Présentation du produit \ Resumen del producto \ 製品概要 \ Обзор продукта \ 产品外观



- 1. USB 3.2 Gen1 Type-A ports
2. MIC-in
3. Headphones
4. USB 3.2 Gen1 Type-C port
5. Power button
6. Power LED
7. Hard disk drive LED



- 8. AC power socket
9. Serial port (optional)
10. LAN ports
11. DisplayPort
12. Clear CMOS & Power Button +5V
13. HDMI 2.0 port
14. USB 2.0 ports
15. USB 3.2 Gen2 Type-A ports
16. Microphone jack
17. Front speaker out (L/R) port
18. Line-in port
19. PCIe x16 slot
20. PCIe x4 slot
21. Perforation for optional WLAN

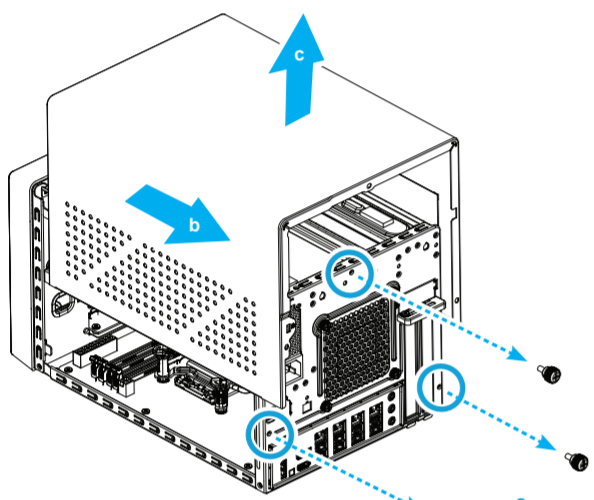
Hardware Installation

硬體安裝 \ Hardware Installation \ Installation du matériel \ Instalación de hardware \ ハードウェアのインストール \ Установка оборудования \ 硬件安裝

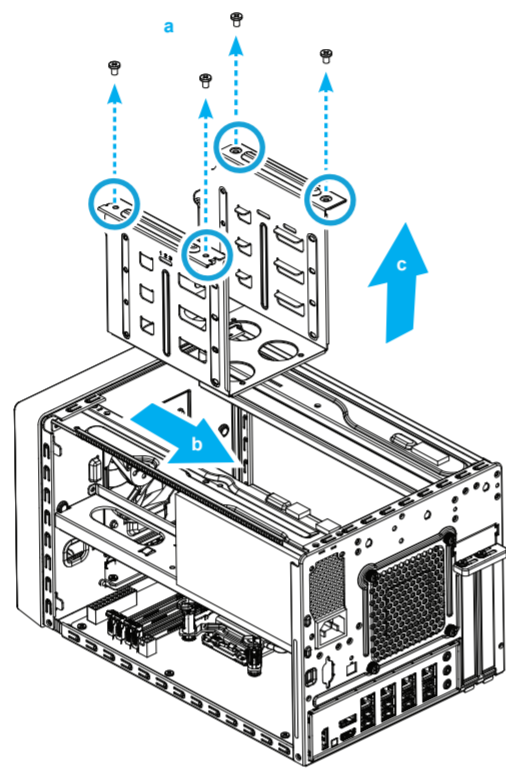
A. Begin Installation

For safety reasons, please ensure that the power cord is disconnected before opening the case.

- 1. Unscrew 3 thumbscrews of the chassis cover.
2. Slide the cover backwards and upwards.



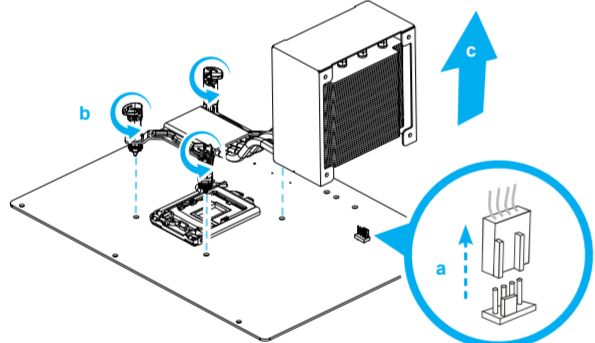
3. Unfasten the rack mount screws and remove the rack.



The product's colour and specifications may vary from the actually shipped product.

B. CPU and ICE Module Installation

- 1. Unfasten the ICE fan thumbscrews on the back of the chassis.
2. Unfasten the four ICE module attachment push-pins and unplug the fan connector.

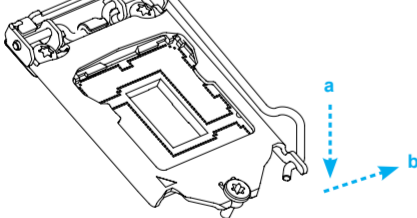


3. Remove the ICE module from the chassis and put it aside.

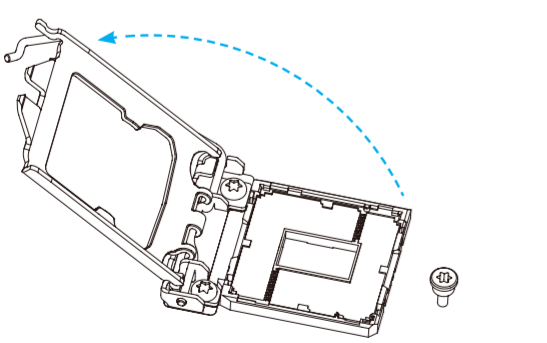
This CPU socket is fragile and can easily be damaged. Always use extreme care when installing a CPU and limit the number of times you remove or change the CPU. Before installing the CPU, make sure to turn off the computer and unplug the power cord from the power outlet to prevent damage of the CPU.

Follow the steps below to correctly install the CPU into the motherboard CPU socket.

4. Unlock and raise the socket lever.

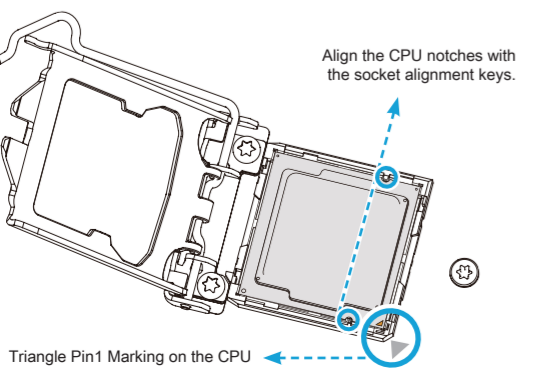


5. Lift the metal load plate off the CPU socket.



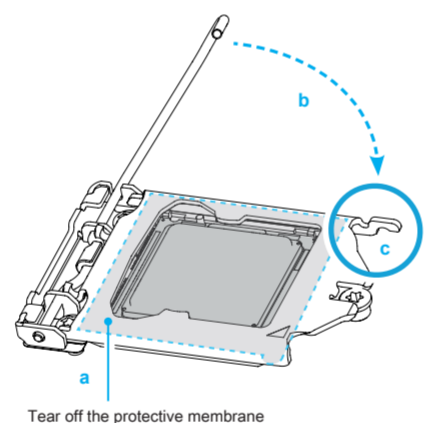
DO NOT touch the socket contacts. To protect the CPU socket, always use the protective socket cover when the CPU is not installed.

6. Please orientate the CPU correctly and align the CPU notches with the socket alignment keys. Make sure the CPU sits perfectly horizontal, then push it gently into the socket.

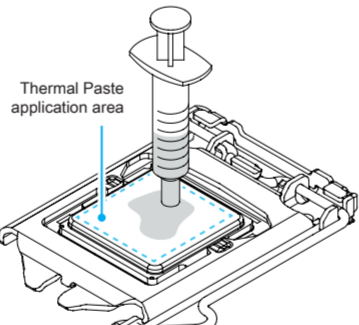


Please be aware of the CPU orientation, DO NOT force the CPU into the socket to avoid bending of pins on the socket and damage of CPU!

7. Tear off the protective membrane from the metal load plate. Close the metal load plate, lower the CPU socket lever and lock in place.



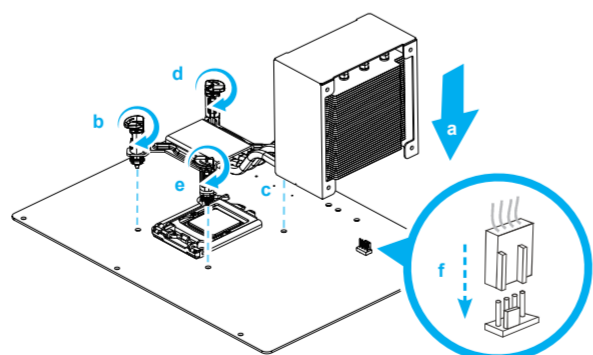
8. Spread thermal paste evenly on the CPU surface.



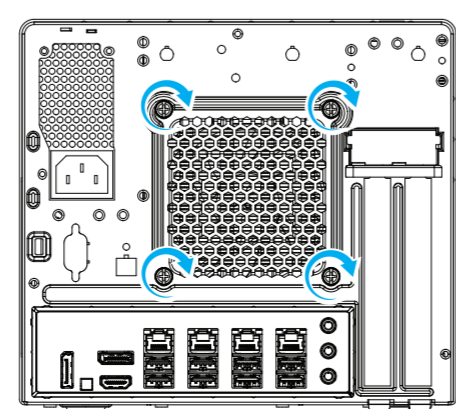
Please do not apply excess amount of thermal paste.

9. Screw the ICE module to the motherboard. Note to press down on the opposite diagonal corner while tightening each push-pin.

10. Connect the fan.



11. Tighten the Smart Fan to the chassis with the four thumbscrews.



C. Memory Module Installation

Guidelines for Memory Configuration
Before installing DIMMs, read and follow these guidelines for memory configuration.

Make sure that the motherboard supports the memory. It is recommended that memory of the same capacity, brand, speed, and chips is used. (Go to Shuttle's website for the latest memory support list.) Memory modules have a foolproof design. A memory module can be installed in only one direction. If you are unable to insert the module, reverse direction.

Population rules of dual channel memory modules

In Dual-Channel mode, the memory modules can transmit and receive data with two data bus lines simultaneously. Enabling Dual-Channel mode can enhance system performance. The following illustrations explain the population rules for Dual-Channel mode.

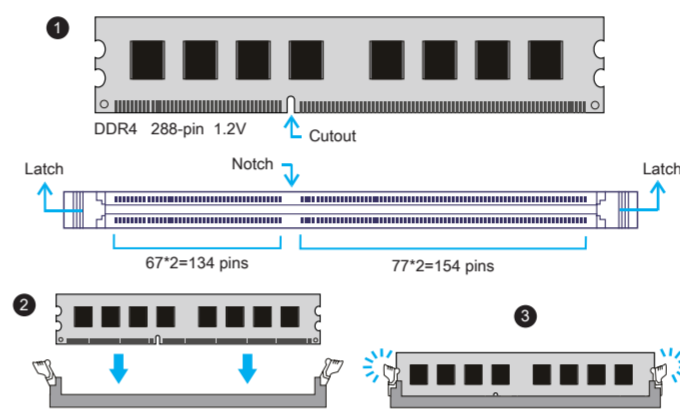


Installing memory modules

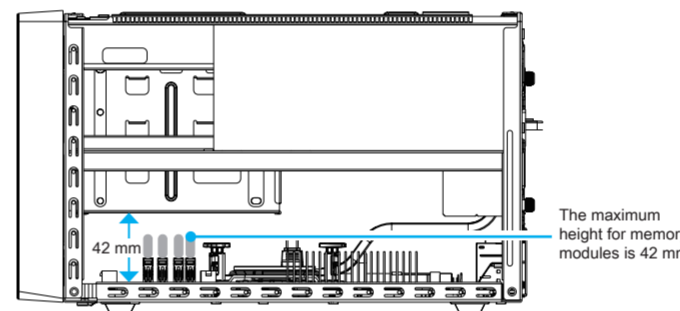
DDR4 and DDR3/DDR2 DIMMs are not compatible to one another or other DDR DIMMs. Be sure to install DDR4 DIMMs on this motherboard only. Follow the steps below to correctly install your memory modules in the memory sockets.

- 1. Unlock the DIMM latch.
2. Align the memory module's cutout with the notch of the DIMM slot. Slide the memory module into the DIMM slot.

A DDR4 memory module has a cutout, so it only fits in one direction.



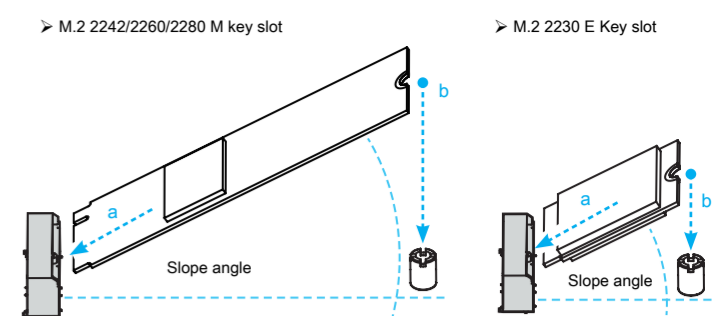
3. Check if the latches are closed and if all memory modules are firmly installed.



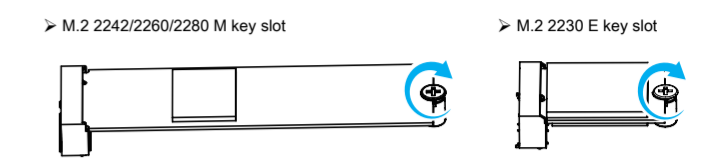
Repeat the above steps to install additional memory modules, if required.

D. M.2 Device Installation

1. Locate the M.2 key slots on the motherboard.

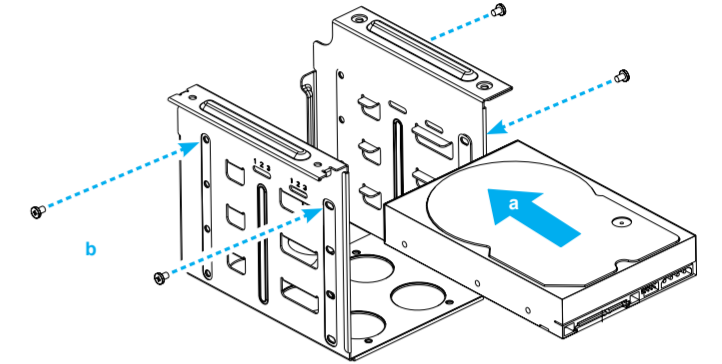


2. Install the M.2 device into the M.2 slot and secure with a screw.



E. Installation of Drives

- 1. Loosen the purse lock and separate the Serial ATA and power cables.
2. Place the HDD or SSD in the rack and secure with screws from the sides.

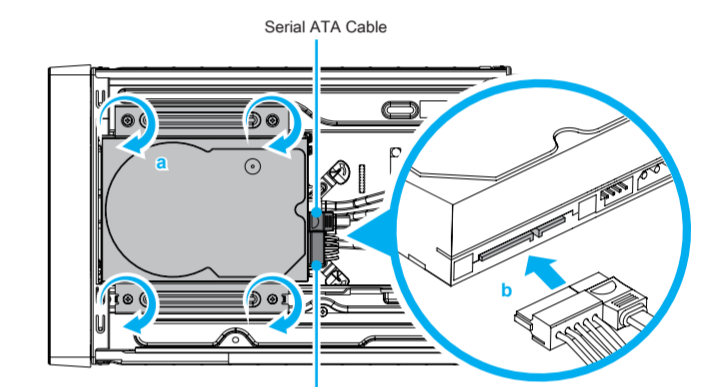


3. Connect the Serial ATA cable to the motherboard.



4. Place the rack in the chassis and refasten the rack.

5. Connect the Serial ATA and power cables to the HDD or SSD.

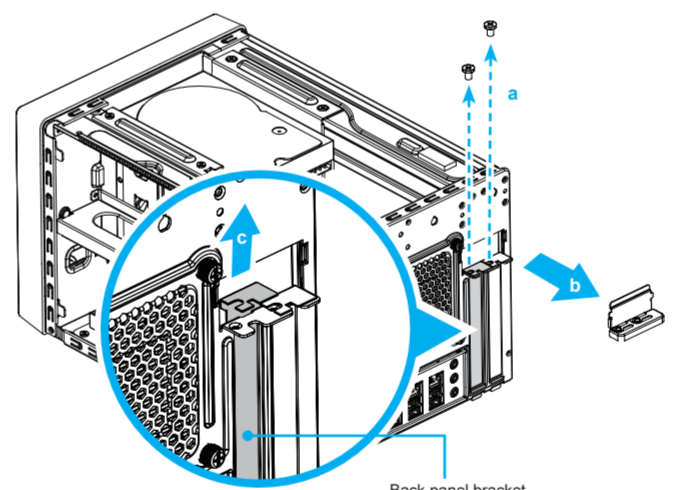


6. Repeat the previous steps to install three further 3.5" drives. The R8 chassis allows for a total of four 3.5" drives to be installed.

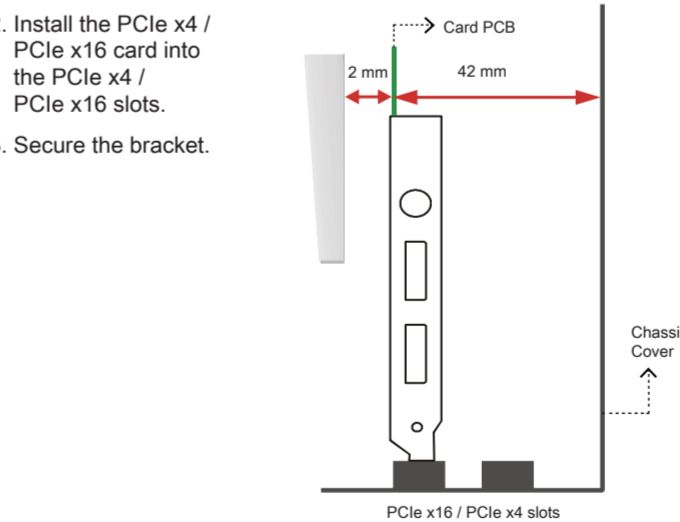
F. Installation of Expansion Cards

- 1. Unfasten the expansion slot bracket screws. Remove the back panel bracket and put it aside.

The maximum size acceptable for display cards is 280 mm (L) x 120 mm (H) x 40 mm (D).



- 2. Install the PCIe x4 / PCIe x16 card into the PCIe x4 / PCIe x16 slots.
3. Secure the bracket.



Safety Information

安全資訊 / Sicherheitshinweise / Informations de sécurité / Información de seguridad / 安全に関する情報 / Информация о безопасности / 安全信息

Incorrectly replacing the battery may damage this computer. Replace only with the same or equivalent as recommended by Shuttle. Dispose of used batteries in accordance with the laws of your country.

更換電池方式錯誤可能會損壞本電腦以及引發爆炸、火災或其他危險。僅能依 Shuttle 的建議, 以相同或同等的電池更換。請根據您在國家/地區的法律規定處理廢電池。

Das unkorrekte Austauschen der Batterie kann diesen Computer beschädigen. Ersetzen Sie die Batterie nur durch den gleichen Typ oder ein gleichwertiges, von Shuttle empfohlenes Modell. Entsorgen Sie gebrauchte Batterien gemäß den gesetzlichen Vorschriften in Ihrem Land.

La sustitución incorrecta de la batería puede dañar este equipo. Sustituya la batería únicamente por una igual o equivalente recomendada por Shuttle. Elimine las pilas usadas de acuerdo con los requisitos legales de su país.

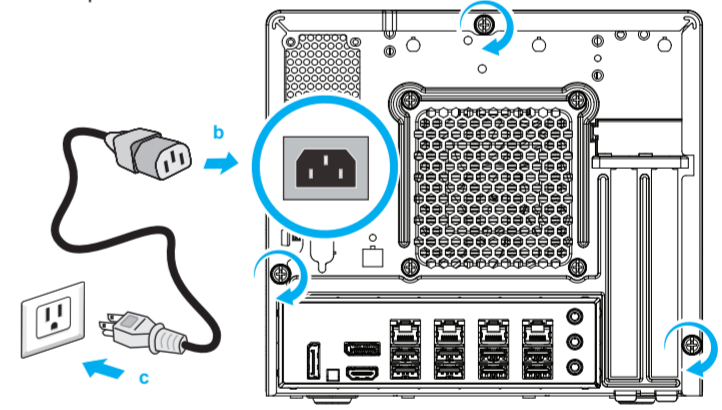
バッテリーを間違えてセットすると、このコンピュータが損傷の原因となります。交換する際は、Shuttle が推奨するバッテリーと同じものまたは同等のものだけを使用するようにください。使用済みのバッテリーは、お住みの国の法律に従って処分してください。

Неправильная замена батареи может привести к повреждению компьютера. Батарея должна соответствовать стандарту производителя Shuttle или быть идентичной предыдущей. Утилизируйте использованные батареи в соответствии с законодательством вашей страны.

更換電池方式錯誤可能會損壞本電腦。僅能依 Shuttle 的建議, 以相同或同等的電池更換。請根據您在國家/地區的法律規定處理廢電池。

G. Complete

- 1. Replace the cover and tighten the thumbscrews, then connect the power cord.
2. Complete.



Please press the "Del" key while booting to enter BIOS. Here, please load the optimised BIOS settings.

This device complies with Part 15 of the FCC Rules. Operation is subject to the following two conditions: (1) this device may not cause harmful interference, and (2) this device must accept any interference received, including interference that may cause undesired operation.

This device meets the requirements for the EU conformity in accordance to the currently valid EU directives. Dieses Produkt erfüllt die Anforderungen für die EU-Konformität entsprechend der aktuell geltenden EU-Richtlinien. Ce produit répond aux exigences de la conformité UE suivant les directives européennes actuellement en vigueur.

All bundled parts, power cord included, shall not be used without this product. 電源ケーブル等、すべての付属品は本機以外ではご使用になれません。

注意: 仅适用于在非热带气候条件下安全使用, 在热带气候条件下使用时, 可能有安全隐患。

注意: 允许产品使用的最高环境温度为 40°C。

* The equipment was evaluated for use in a maximum air ambient temperature of 40°C.

產品宣告最大適用環境溫度為 40°C。

注意: 仅适用于海拔 2000m 以下安全使用, 在海拔 2000m 以上使用时, 可能有安全隐患。

WARNING THIS PRODUCT CONTAINS A BUTTON BATTERY

If swallowed, a lithium button battery can cause severe or fatal injuries within 2 hours. Keep batteries out of reach of children. If you think batteries may have been swallowed or placed inside any part of the body, seek immediate medical attention.

1. The statement "remove and immediately recycle or dispose of used batteries according to local regulations and keep away from children. Do NOT dispose of batteries in household trash or incinerate."

- (a) Remove and immediately recycle or dispose of used batteries according to local regulations and keep away from children. Do NOT dispose of batteries in household trash or incinerate.
(b) Even used batteries may cause severe injury or death.
(c) Call a local poison control center for treatment information.
(d) Indicating the compatible battery type CR2032.
(e) Denoting the nominal battery voltage.
(f) Non-rechargeable batteries are not to be recharged.
(g) Do not force discharge, recharge, disassemble, heat above (manufacturer's specified temperature rating) or incinerate. Doing so may result in injury due to venting, leakage or explosion resulting in chemical burns.
2. This Product contains a button Battery/coin cell batteries
(a) Ensure the batteries are installed correctly according to polarity (+ and -). Do not mix old and new batteries, different brands or types of batteries, such as alkaline, carbon-zinc, or rechargeable batteries.
(b) Remove and immediately recycle or dispose of batteries from equipment not used for an extended period of time according to local regulations.
(c) Always completely secure the battery compartment. If the battery compartment does not close securely, stop using the product, remove the batteries, and keep them away from children.

Product Overview

產品外觀 \ Produktübersicht \ Présentation du produit \ Resumen del producto \ 製品概要 \ Обзор продукта \ 产品外观					
<div> <div>1. USB 3.2 Gen1 Type-A Ports</div> <div>USB 3.2 Gen1 Type-A 連接埠</div> <div>USB 3.2 Gen1 Type-A-Anschlüsse</div> <div>Prises USB 3.2 Gen1 Type-A</div> <div>Puertos USB 3.2 Gen1 tipo A</div> <div>USB 3.2 Gen1 Type-A 埠</div> <div>USB 3.2 Gen1 Type-A ports</div> <div>USB 3.2 Gen1 Type-A 端口</div> </div>	<div> <div>2. MIC-in</div> <div>麥克風插孔</div> <div>Mikrofon-Anschluss</div> <div>Entrée Micro</div> <div>Entrada del micrófono</div> <div>マイク</div> <div>Гнездо для микрофона</div> <div>麥克風插孔</div> </div>	<div> <div>3. Headphones</div> <div>耳機孔</div> <div>Kopfhörer-Anschluss</div> <div>Prise casque</div> <div>Conector para auriculares</div> <div>イヤホン</div> <div>Гнездо для наушников</div> <div>耳机孔</div> </div>	<div> <div>4. USB 3.2 Gen1 Type-C Port</div> <div>USB 3.2 Gen1 Type-C 連接埠</div> <div>USB 3.2 Gen1 Type-C-Anschluss</div> <div>Prise USB 3.2 Gen1 Type-C</div> <div>Puerto USB 3.2 Gen1 tipo C</div> <div>USB 3.2 Gen1 Type-C 埠</div> <div>USB 3.2 Gen1 Type-C port</div> <div>USB 3.2 Gen1 Type-C 端口</div> </div>	<div> <div>5. Power button</div> <div>電源按鈕</div> <div>Ein-/Aus-Button</div> <div>Bouton d'alimentation</div> <div>Botón de encendido</div> <div>電源スイッチ</div> <div>Кнопка питания</div> <div>電源按鈕</div> </div>	<div> <div>6. Power LED</div> <div>電源指示燈</div> <div>Betriebsanzeige-LEDS</div> <div>Indicateur alimentation</div> <div>LED de encendido</div> <div>電源 LED</div> <div>LED-индикатор питания</div> <div>電源指示灯</div> </div>
<div> <div>7. Hard disk drive LED</div> <div>硬碟指示燈</div> <div>Festplatten-LED</div> <div>Indicateur disque dur</div> <div>Diodo LED del disco duro</div> <div>LED-디스크 드라이브 LED</div> <div>LED-индикатор жесткого диска</div> <div>硬盘指示灯</div> </div>	<div> <div>8. AC power socket</div> <div>電源線插埠</div> <div>Netzspannungs-Anschluss</div> <div>Prise du cordon d'alimentation</div> <div>Enchufe de alimentación de CA</div> <div>AC 電源插頭</div> <div>Разъем питания AC</div> <div>電源線插埠</div> </div>	<div> <div>9. Serial port (optional)</div> <div>串列埠預留孔 (選配)</div> <div>Perforation für COM-Port</div> <div>Perforation du port COM</div> <div>Perforación para COM (Opcional)</div> <div>シリアルポート追加用(オプション)</div> <div>Последовательный порт (опционально)</div> <div>串行埠預留孔 (可选)</div> </div>	<div> <div>10. LAN ports</div> <div>LAN 連接埠</div> <div>Netzwerk-Anschlüsse</div> <div>Prises LAN</div> <div>Puertos LAN</div> <div>LAN 埠</div> <div>Сетевые LAN-порты</div> <div>LAN 埠 連接端口</div> </div>	<div> <div>11. DisplayPort</div> <div>DisplayPort 連接埠</div> <div>DisplayPort</div> <div>Prises DisplayPort</div> <div>Puerto DisplayPort</div> <div>ディスプレイポート (DisplayPort)</div> <div>DisplayPort</div> <div>DisplayPort 連接埠</div> </div>	
<div> <div>12. Clear CMOS & Power Button +>V</div> <div>清除COMS & 電源按鈕 +>V</div> <div>Clear CMOS & Einschalt-Button +>V</div> <div>Reset CMOS & Bouton d'alimentation +>V</div> <div>Clear CMOS & Botón encendido +>V</div> <div>CMOSクリア & 電源スイッチ +>V</div> <div>Сброс CMOS, нажатия кнопки питания, +>V</div> <div>清除 CMOS & 電源按鈕 +>V</div> </div>	<div> <div>13. HDMI 2.0 port</div> <div>HDMI 2.0 連接埠</div> <div>HDMI 2.0-Anschluss</div> <div>Prise HDMI 2.0</div> <div>Puerto HDMI 2.0</div> <div>HDMI 2.0 埠</div> <div>USB 2.0 port</div> <div>HDMI 2.0 連接埠</div> </div>	<div> <div>14. USB 2.0 ports</div> <div>USB 2.0 連接埠</div> <div>USB 2.0-Anschlusse</div> <div>Prises USB 2.0</div> <div>Puertos USB 2.0</div> <div>USB 2.0 埠</div> <div>USB 2.0 port</div> <div>USB 2.0 連接埠</div> </div>	<div> <div>15. USB 3.2 Gen2 Type-A Ports</div> <div>USB 3.2 Gen2 Type-A 連接埠</div> <div>USB 3.2 Gen2 Type-A-Anschlusse</div> <div>Prises USB 3.2 Gen2 Type-A</div> <div>Puertos USB 3.2 Gen2 tipo A</div> <div>USB 3.2 Gen2 Type-A 埠</div> <div>USB 3.2 Gen2 Type-A port</div> <div>USB 3.2 Gen2 Type-A 端口</div> </div>	<div> <div>16. Microphone jack</div> <div>麥克風輸入埠</div> <div>Mikrofon-Anschluss</div> <div>Entrée Micro</div> <div>Entrada del micrófono</div> <div>マイクインポート</div> <div>Гнездо для микрофона</div> <div>麥克風輸入埠</div> </div>	
<div> <div>17. Front speaker out (L/R) port</div> <div>左 / 右聲道輸出埠</div> <div>Lautsprecher-Anschluss/Line-Out</div> <div>Sortie audio avant (G/D)</div> <div>Salida de audio Line-Out</div> <div>正面アウト (L/R) 埠</div> <div>Линейный выход</div> <div>左 / 右声道輸出埠</div> </div>	<div> <div>18. Line-in port</div> <div>音源輸入埠</div> <div>Audio Line-in Eingang</div> <div>Port d'entrée ligne</div> <div>Entrada de audio Line-in</div> <div>ラインイン埠</div> <div>Линейный вход</div> <div>音源輸入埠</div> </div>	<div> <div>19. PCIe x16 slot</div> <div>PCIe x16 插槽</div> <div>PCIe x16-Steckplatz</div> <div>Emplacement PCIe x16</div> <div>PCIe x16 Ranura</div> <div>PCIe x4 スロット</div> <div>Слоты PCIe x16</div> <div>PCIe x16 插槽</div> </div>	<div> <div>20. PCIe x4 slot</div> <div>PCIe x4 插槽</div> <div>PCIe x4-Steckplatz</div> <div>Emplacement PCIe x4</div> <div>PCIe x4 Ranura</div> <div>PCIe x4 スロット</div> <div>Слоты PCIe x4</div> <div>PCIe x4 插槽</div> </div>	<div> <div>21. Perforation for optional WLAN</div> <div>無線網路卡天線預留孔</div> <div>Perforation für optionale WLAN-Antenne</div> <div>Perforations pour Antenne Wi-Fi</div> <div>Perforación para antena WLAN opcional</div> <div>LANオプション)用穴</div> <div>Отверстие для дополнительного WLAN</div> <div>无线网络卡天线预留孔</div> </div>	

Hardware Installation

硬體安裝 \ Hardware Installation \ Installation du matériel \ Instalación de hardware \ ハードウェアのインストール \ Установка оборудования \ 硬件安装

A. Begin Installation \ 開始安裝 \ Beginn der Installation \ Commencer l'installation

Inicio la instalación \ 取り付けの開始 \ Начало установки \ 开始安装

⚠ For safety reasons, please ensure that the power cord is disconnected before opening the case.

基於安全考量，移開機殼時，請先拔除電源線。
Achten Sie aus Sicherheitsgründen darauf, dass das Gerät vor dem Öffnen vom Stromnetz getrennt wird.
Pour votre sécurité, veillez à débrancher le cordon d'alimentation avant d'ouvrir le boîtier.
Por razones de seguridad, no olvide desconectar el cable de alimentación antes de abrir la carcasa.
安全のために、ケースを開ける前に電源コードを外していることを確認してください。
Меры безопасности: прежде чем открыть корпус, пожалуйста, убедитесь, что шнур отсоединен от электрической розетки.
基于安全考虑，移开机壳时，请先拔除电源线。

A. Begin Installation \ 開始安裝 \ Beginn der Installation \ Commencer l'installation

Inicio la instalación \ 取り付けの開始 \ Начало установки \ 开始安装

⚠ For safety reasons, please ensure that the power cord is disconnected before opening the case.

基於安全考量，移開機殼時，請先拔除電源線。
Achten Sie aus Sicherheitsgründen darauf, dass das Gerät vor dem Öffnen vom Stromnetz getrennt wird.
Pour votre sécurité, veillez à débrancher le cordon d'alimentation avant d'ouvrir le boîtier.
Por razones de seguridad, no olvide desconectar el cable de alimentación antes de abrir la carcasa.
安全のために、ケースを開ける前に電源コードを外していることを確認してください。
Меры безопасности: прежде чем открыть корпус, пожалуйста, убедитесь, что шнур отсоединен от электрической розетки.
基于安全考虑，移开机壳时，请先拔除电源线。

1. Unscrew 3 thumbscrews of the chassis cover.

鬆開 3 顆背板手轉螺絲。
Lösen Sie die drei Rändelschrauben der Gehäuseabdeckung.
Dévissez les vis à serrage manuel du couvercle du châssis.
Retire los 3 tornillos de ajuste manual de la tapa del chasis.
シャシカバーの3本のネジを抜きます。
Отвинтите 3 шурупа на крышке корпуса.
松开 3 颗背板手转螺丝。

2. Slide the cover backwards and upwards.

將機殼往外推出，再向上拿起。
Schieben Sie die Abdeckung nach hinten und nach oben.
Faites glisser le couvercle vers l'arrière et vers le haut.
Desplace la carcasa hacia atrás y hacia arriba.
カバーを後ろと上方向にスライドさせます。
Сдвиньте крышку назад и затем вверх.
将机壳往外推出，再向上拿起。

3. Unfasten the rack mount screws and remove the rack.

鬆開支架上的固定螺絲，取下支架。
Lösen Sie die Schrauben vom Laufwerkskäfig und entfernen diesen.
Desserrez les vis de montage du berceau et retirez-le.
Afloje los tornillos del bastidor y retire este.
マンタナーのネジを緩めてシャシから取り外して下さい。
Отвинтите шурупы стойки и снимите стойку.
松开支架上的固定螺絲，取下支架。

⚠ This CPU socket is fragile and can easily be damaged. Always use extreme care when installing a CPU and limit the number of times you remove or change the CPU. Before installing the CPU, make sure to turn off the computer and unplug the power cord from the power outlet to prevent damage of the CPU.

此 CPU 的插槽脆弱易受損。請務必於安裝 CPU 時小心使用，並盡量減少移除或變更 CPU 的次數。安裝 CPU 前，請再次確認電源是關閉的，以避免造成 CPU 的損壞。

⚠ The product's colour and specifications may vary from the actually shipped product.

出貨機種顏色及規格配備，以實際出貨機種為準。

Die tatsächliche Farbe des gelieferten Produktes kann von diesen Abbildungen abweichen.

Le coloris du produit livré peut varier de ces illustrations.

Der CPU-Sockel ist besonders empfindlich und kann sehr leicht beschädigt werden. Besondere Vorsicht ist geboten, wenn Sie eine CPU installieren. Ferner sollte die CPU nicht oft entfernt bzw. ausgetauscht werden. Schalten Sie vor der Installation der CPU den Computer ab und ziehen Sie das Netzkabel heraus, um Schäden an der CPU zu vermeiden. Le socket du processeur est fragile et s'abîme facilement. Soyez extrêmement attentif lors de l'installation d'un processeur et limitez le nombre de retraits ou de changements de processeur. Avant d'installer un processeur, assurez vous de l'éteindre l'ordinateur et de débrancher le cordon d'alimentation de la prise électrique afin d'éviter tout dommage du processeur.

El zócalo de la CPU es particularmente sensible y puede dañarse fácilmente. Tenga siempre sumo cuidado cuando instale el procesador y limite el número de veces que lo quite o cambie este. Antes de instalar el CPU asegurese de apagar el ordenador y de desenchufar el cable alimentacion/para evitar daños del CPU.
ピンソケットは非常にデリケートな為、簡単に破損してしまいます。CPUを取り付ける際は、必ず細心の注意を払っていただけてますようお願い致します。またCPU設置の際は、必ず電源をOFFにし、ケーブルが抜かれている事を確認して下さい。

Контактный разъем процессора может быть легко поврежден. Будьте крайне осторожны при установке процессора и ограничьте количество раз замены процессора. Перед установкой процессора, убедитесь, что компьютер выключен и отсоедините кабель питания от электрической розетки, чтобы предотвратить повреждение процессора.

此 CPU 的插槽脆弱易受損。請務必於安裝 CPU 時小心使用，並盡量減少移除或變更 CPU 的次數。安裝 CPU 前，請再次确认电源是关闭的，以避免造成 CPU 的损坏。

➢ Follow the steps below to correctly install the CPU into the motherboard CPU socket.

請依下列步驟將 CPU 正確的安裝於主機板的 CPU 插槽內

Beachten Sie genau die folgende Anleitung, um die CPU korrekt in den CPU-Sockel auf dem Mainboard zu installieren.

Suivez les instructions suivantes pour réussir l'intégration de votre processeur dans son socket.
Siga las instrucciones de abajo para instalar la CPU correctamente en el zócalo de la CPU de la placa base.

マザーボードのCPUソケットにCPUを取り付けるには、以下の手順に従ってください。
Выполните следующие действия, чтобы правильно установить процессор в процессорный socket материнской платы.

請依下列步驟將 CPU 正確的安裝于主机板的 CPU 插槽內

4. Unlock and raise the socket lever.

請先將插槽拉桿解鎖並向上提起。
Entriegeln Sie zuerst den Sockelhebel und ziehen ihn hoch.
Déverrouillez d'abord le levier du socket puis soulevez-le.
En primer lugar desbloquee y levante la palanca del zócalo.
まずソケットレバーのロックを解除し引き上げます。
Сначала разблокируйте и поднимите рычаг сокета.
請先將插槽拉桿解鎖并向上提起。

5. Lift the metal load plate off the CPU socket.

向上鬆起 CPU 插槽上的金屬載入板。
Heben Sie die Metallabdeckplatte von dem CPU-Sockel hoch.
Soulevez la plaque de protection du processeur.

Levante la placa metálica de carga que se encuentra en el zócalo del microprocesador.
CPU ソケットの金属載入ードプレートを持ち上げます。
Поднимите металлическую пластину на процессорном разъеме.
向上提起 CPU 插槽的金属载入板。

⚠ DO NOT touch the socket contacts. To protect the CPU socket, always use the protective socket cover when the CPU is not installed.

處理期間請注意勿觸摸插槽內的排針，當你沒有安裝 CPU 時，請將保護蓋安裝回 CPU 插槽，以保護 CPU 插槽。

Berühren Sie NIE die Kontakte des CPU-Sockels. Wenn keine CPU installiert ist, legen Sie bitte wieder die Schutzabdeckung hinein, um den CPU-Sockel zu schützen.

NE PAS toucher aus contacts du socket. Pour protéger le socket, toujours replacer la pièce protectrice lorsqu'on enlève le processeur.

No tocar los contactos del zócalo. Para proteger el zócalo renueva siempre la cubierta protectora del zócalo cuando el CPU no está instalado.

ソケット内部には絶対触らないでください。CPUを設置しない場合は、保護の為にプラスチックカバーを取り付けるようにお願い致します。

НЕ прикасайтесь к контактам сокета. Для защиты процессорного гнезда, всегда используйте защитную крышку разъема, когда процессор не установлен.
处理期间请注意勿触摸插槽内的排针，当你没有安装 CPU 时，请将保护盖安装回 CPU 插槽，以保护 CPU 插槽。

6. Please orientate the CPU correctly and align the CPU notches with the socket alignment keys. Make sure the CPU sits perfectly horizontal, then push it gently into the socket.

調整 CPU 和插槽的位置，將 CPU 上的凹角對齊插槽上的凸角。確保完全水平放置 CPU，並將 CPU 插入插槽。

Richten Sie die CPU auf dem Sockel so aus, dass die CPU-Kerben auf die Ausrichtungsmarkmale des Sockels zeigen. Halten Sie die CPU völlig horizontal, und setzen Sie sie dann vorsichtig in den Socket ein.

Orientez le processeur correctement sur le socket en vous servant des repères d'alignement sur le socket et des encoches sur le processeur. Assurez-vous que le processeur est parfaitement horizontal et posez-le sur le socket.

Coloque la CPU en el zócalo de tal forma que las muescas estén alineadas con las marcas de alineación del zócalo. Asegúrese de que la CPU se encuentra en posición perfectamente horizontal y después insértela en la CPU en el del zócalo.

CPUとソケットの際は、CPU側の切り込みがソケット側と合うように、取り付ける向きを確認してから、取り付けて下さい。

Пожалуйста, разместите процессор правильно и совместите выемки процессора с ключами выравнивания сокета. Убедитесь, что процессор идеально сидит по горизонтали, затем вставьте его аккуратно в socket.

調整 CPU 和插槽的位置，將 CPU 上的凹角对齐插槽上的凸角。确保完全水平放置 CPU，并将 CPU 插入插槽。

⚠ DO NOT touch the socket contacts. To protect the CPU socket, always use the protective socket cover when the CPU is not installed.

處理期間請注意勿觸摸插槽內的排針，當你沒有安裝 CPU 時，請將保護蓋安裝回 CPU 插槽，以保護 CPU 插槽。

Berühren Sie NIE die Kontakte des CPU-Sockels. Wenn keine CPU installiert ist, legen Sie bitte wieder die Schutzabdeckung hinein, um den CPU-Sockel zu schützen.

NE PAS toucher aux contacts du socket. Pour protéger le socket, toujours replacer la pièce protectrice lorsqu'on enlève le processeur.

No tocar los contactos del zócalo. Para proteger el zócalo renueva siempre la cubierta protectora del zócalo cuando el CPU no está instalado.

ソケット内部には絶対触らないでください。CPUを設置しない場合は、保護の為にプラスチックカバーを取り付けるようにお願い致します。

НЕ прикасайтесь к контактам сокета. Для защиты процессорного гнезда, всегда используйте защитную крышку разъема, когда процессор не установлен.
处理期间请注意勿触摸插槽内的排针，当你没有安装 CPU 时，请将保护盖安装回 CPU 插槽，以保护 CPU 插槽。

6. Please orientate the CPU correctly and align the CPU notches with the socket alignment keys. Make sure the CPU sits perfectly horizontal, then push it gently into the socket.

調整 CPU 和插槽的位置，將 CPU 上的凹角對齊插槽上的凸角。確保完全水平放置 CPU，並將 CPU 插入插槽。

Richten Sie die CPU auf dem Sockel so aus, dass die CPU-Kerben auf die Ausrichtungsmarkmale des Sockels zeigen. Halten Sie die CPU völlig horizontal, und setzen Sie sie dann vorsichtig in den Socket ein.

Orientez le processeur correctement sur le socket en vous servant des repères d'alignement sur le socket et des encoches sur le processeur. Assurez-vous que le processeur est parfaitement horizontal et posez-le sur le socket.

Coloque la CPU en el zócalo de tal forma que las muescas estén alineadas con las marcas de alineación del zócalo. Asegúrese de que la CPU se encuentra en posición perfectamente horizontal y después insértela en la CPU en el del zócalo.

CPUとソケットの際は、CPU側の切り込みがソケット側と合うように、取り付ける向きを確認してから、取り付けて下さい。

Пожалуйста, разместите процессор правильно и совместите выемки процессора с ключами выравнивания сокета. Убедитесь, что процессор идеально сидит п горизонтали, затем вставьте его аккуратно в socket.

調整 CPU 和插槽的位置，將 CPU 上的凹角对齐插槽上的凸角。确保完全水平放置 CPU，并将 CPU 插入插槽。

C. Memory Module Installation \ 安裝記憶體模組 \ Installation der Speichermodule

Installation de la mémoire vive \ Instalar el módulo de memoria

メモリーへの取り付け \ Установка модуля памяти \ 安裝内存模块

➢ Guidelines for Memory Configuration

Before installing DIMMs, read and follow these guidelines for memory configuration.

記憶體模組設定指南

在安裝記憶體模組之前，請注意以下訊息。

Hinweise zur Speicherkonfiguration

Vor der Speicherinstallation lesen Sie bitte die folgenden Hinweise zur Konfiguration:

Directives pour la configuration des modules de mémoire

Avant d'installer les modules DIMM, lisez et suivez les instructions ci-dessous.

Guía para configuración de la memoria.

Antes de instalar los módulos de memoria, lea y siga las indicaciones de la guía para la configuración de la memoria.

ガイドライン

メモリーを取り付ける前に、必ずお読み下さい。

Рекомендации по установке памяти

Перед установкой модулей DIMM, прочитайте и следуйте этим правилам для конфигурации памяти.

内存模块设定指南

在安裝内存模块之前，请注意以下讯息。

⚠ Make sure that the motherboard supports the memory. It is recommended that memory of the same capacity, brand, speed, and chips are used. (Go to Shuttle's website for the latest memory support list.) Memory modules have a foolproof design. A memory module can be installed in only one direction. If you are unable to insert the memory, switch the direction.

請確認所使用的記憶體模組規格符合本主機板的支援範圍，建議您使用相同容量、廠牌、速度、顆粒的記憶體模組。（請至奇雲電腦網站查詢有關支援的記憶體模組列表）

記憶體模組有防呆設計，若插入方向錯誤，將無法安裝至 DIMM 插槽上。安裝時請確認方向正確無誤。

Stellen Sie sicher, dass das Mainboard die verwendeten Module unterstützt. Es wird empfohlen, dass nur gleiche Speichermodule zusammen verwendet werden – dies betrifft Kapazität, Hersteller, Geschwindigkeit und Chips (eine Kompatibilitätliste finden Sie auf der Shuttle-Website). Speichermodule sind so konstruiert, dass sie sich nicht falsch herum einsetzen lassen. Falls es beim Einstecken Probleme gibt, sind versuchen Sie es andersherum.

Assurez-vous que la carte mère est compatible avec les modules de mémoire. Il est recommandé d'utiliser des modules de même capacité et de même marque. (Visitez le site de Shuttle pour obtenir une liste de compatibilité mise à jour.) Les modules de mémoire possèdent des détrompeurs. Ils ne pourront donc être installés que dans une seule et unique position. Si le module résiste, ne forcez pas, inversez le positionnement.

Asegúrese que la tarjeta madre sea compatible a la memoria. Se recomienda utilizar memorias con la misma capacidad, marca, velocidad y chips utilizados. (Consulte la última lista de compatibilidad de la página web de Shuttle.) Los módulos de memoria tienen un diseño a prueba de fallos. El módulo de memoria solo puede ser instalado en una dirección. En caso de que no pueda introducirlo en la ranura, cambie la dirección.Memory modules have a foolproof design.

マザーボードに対してのメモリーである事を確認して下さい。使用するメモリーは同一製品である事を推奨致します。（対応製品は弊社ウェブサイトでご確認下さい。）メモリーは、誤って押し入れない様に切り込みがなっています。もし上手く押し入れられない場合は、切り込みを確認してください。

Убедитесь, что материнская плата поддерживает память. Рекомендуется использовать память одного бренда, емкости, марки, скорости и чипа. (Перейти на сайт Shuttle для получения последней версии списка поддержки памяти.) Модули памяти имеют защиту от неправильной устаноки. Модуль памяти может быть установлен только в одном направлении. Если вы не можете вставить память, проверните на другую сторону.

請確認所使用的内存模块规格符合本主机板的支持范围，建议您使用相同容量、厂牌、速度、颗粒的内存模块。（请至奇云计算机网站查询有关支持的内存模块列表）

内存模块有防呆设计，若插入方向错误，将无法安装至 DIMM 插槽上。安装时请确认方向正确无误。

1. Unfasten the ICE fan thumbscrews on the back of the chassis.

鬆開機殼背板上 4 顆固定 ICE 散熱模組的手轉螺絲。
Lösen Sie die Rändelschrauben des ICE-Lüfters an der Rückseite des Gehäuses. (ICE = Integrated Cooling Engine)

Dévissez les 4 vis du ventilateur ICE à l'arrière du châssis.
Afloje los tornillos del ventilador ICE al reverso del chasis.
シャシ背面のICE7アンチネジを外します。
Отвинтите шурупы ICE вентилятора на задней панели корпуса.
松开机壳背板上 4 颗固定 ICE 散熱模块的手转螺絲。

2. Unfasten the four ICE module attachment push-pins and unplug the fan connector.
鬆開熱導管 4 個切角上的固定螺絲，拔起風扇電源接頭。
Lösen Sie die jeweils vier Rändelschrauben, mit denen das ICE-Modul am Mainboard und an der Gehäuserückseite befestigt ist, und ziehen Sie den Stecker des Lüfters heraus.
Dévissez les 4 vis du module ICE et débranchez le connecteur du ventilateur.
Afloje los tornillos (push-pins) de sujeción del módulo ICE y desenchufe el conector del ventilador.

FANコネクタを取り外し、ICEモジュールにあるネジ（ブッシュピン）を外します。
Отвинтите четыре штифта модуля ICE и отсоедините разъем вентилятора.
松开热导管 4 个切角上的固定螺絲，拔起风扇电源接头。

3. Remove the ICE module from the chassis and put it aside.

取下 ICE 散熱模組置於一旁。
Entfernen Sie das ICE-Modul aus dem Gehäuse und legen es beiseite.
Retirez le module ICE du châssis et mettez-le de côté.
Extraiga el módulo ICE del chasis y póngalo a un lado.
ICEモジュールを引き上げるように引き上げるように取り外します。
Извлеките модуль ICE из шасси и поставьте его в сторону.
取下 ICE 散熱模块置于一旁。

⚠ This CPU socket is fragile and can easily be damaged. Always use extreme care when installing a CPU and limit the number of times you remove or change the CPU. Before installing the CPU, make sure to turn off the computer and unplug the power cord from the power outlet to prevent damage of the CPU.

此 CPU 的插槽脆弱易受損。請務必於安裝 CPU 時小心使用，並盡量減少移除或變更 CPU 的次數。安裝 CPU 前，請再次確認電源是關閉的，以避免造成 CPU 的損壞。

Color y la especificación del producto dependerá del transporte de mercancía corriente.
製品の色及びスペックは、実際と異なる場合がございます。

Цвет и спецификации продукта могут быть изменены производителем.

出货机种颜色及规格配备，以实际出货机种为准。

Repeat the above steps to install additional memory modules, if required. Please refer to the above steps to install additional memory modules, if required. Wiederholen Sie diese Schritte, um ggf. weitere Speichermodule zu installieren. Répétez l'opération pour tout module supplémentaire. Repita estos pasos para instalar módulos DDR4 adicionales si así lo desea.メモリーを追加する際は、同じ作業を繰り返して下さい。Повторите описанные выше шаги для установки дополнительных модулей памяти, если необходимо. 請重覆上述步驟將其余的内存安装于 DIMM 插槽上。

D. M.2 Device Installation \ M.2 裝置安裝 \ Installation der M.2-Karten

Installation des cartes M.2 \ Instalación de las tarjetas M.2

その他コンポーネントの取り付け \ Установка устройств M.2 \ M.2 裝置安裝

1. Locate the M.2 key slots on the motherboard.

找到主機板上的 M.2 插槽。
Bitte lokalisieren Sie die M.2 Slots auf dem Mainboard.
Veuillez repérer les emplacements destinés aux cartes M.2 sur la carte mère.
Localice la ubicación de las ranuras M.2 en la placa base.
マザーボードにあるM.2スロットを取り付け位置を確認します。
Действуйте, как показано на рисунке, и найдите M.2 slot на материнской плате.
找到主机板上的 M.2 插槽。

2. Install the M.2 device into the M.2 slot and secure with the screw.
將 M.2 裝置插入 M.2 插槽，並鎖上固定螺絲。
Installieren Sie die M.2-Karte in den M.2-Steckplatz, und sichern Sie diese mit einer Schraube.
Installez la carte M.2 dans son emplacement et sécurisez-la avec une vis.
Instale la tarjeta M.2 en la ranura M.2 y asegúrela con un tornillo.
M.2 スロットに M.2 対応デバイスを入れし、ネジでしっかりと締めてください。
Установите M.2-карту в разъем M.2 и закрутите шуруп.
將 M.2 裝置插入 M.2 插槽，并锁上固定螺絲。

E. Installation of Drives \ 安裝周邊裝置 \ Installation der Laufwerke

Installation des périphériques \ Instalación del disco duro y del lector óptico

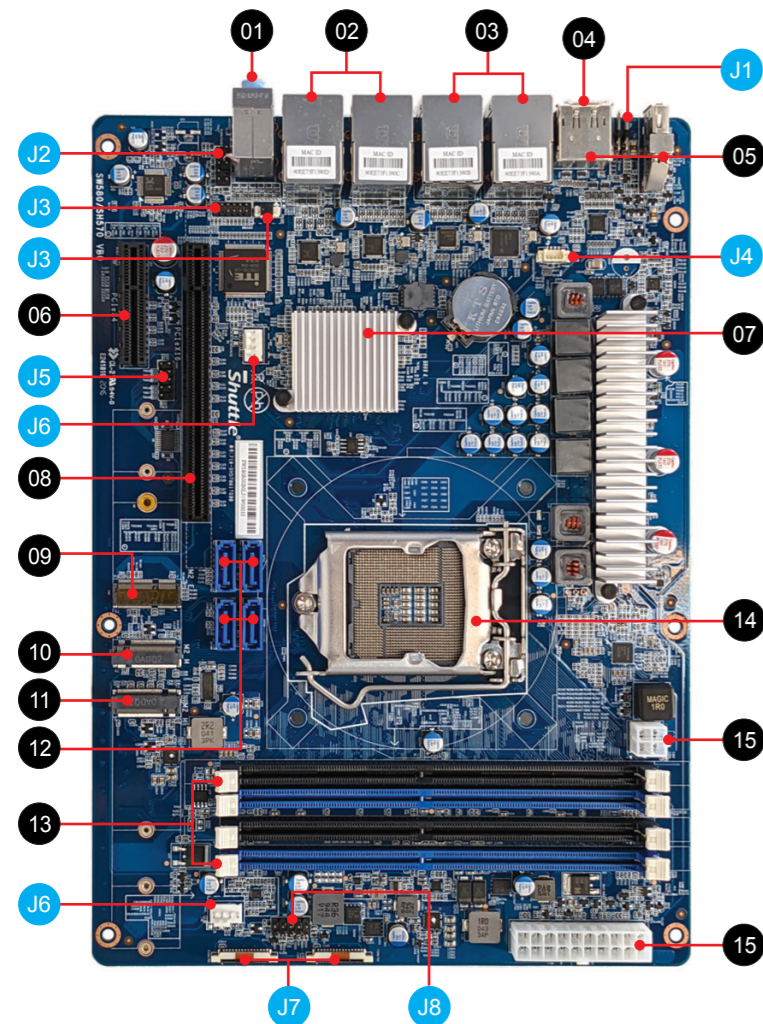
周边裝置的取り付け \ Установка дисков \ 安裝周边装置

1. Remove the purge lock and separate the Serial ATA and power cables.

鬆開電源線的束縛線，將 Serial ATA 及電源線拉出，以利安裝。
Öffnen Sie den Kabelbinder, und separieren Sie das Daten- und Stromversorgungs-kabel für Serial-ATA.
Ouvrez l'attache et séparez le câble Serial ATA du câble d'alimentation.
Afloje el enganche y retire el Serial ATA y los cables de alimentación.
結束束在一起的 HDD 電源ケーブルを取りだします。
Отсоедините фиксатор и отделите Serial ATA и кабель питания.
松开电源线的束线环，将 Serial ATA 信号线及电源线拉出，以利安装。

將 HDD 硬碟或 SSD 固態硬碟放入支架中，鎖緊兩側螺絲。
Setzen Sie die Festplatte oder SSD in den Laufwerkskäfig ein, und schrauben Sie sie seitlich fest.
Placez le HDD ou le SSD dans le bcreau et serrez les vis latérales de fixation.
Introduzca el disco duro en la caja de la unidad de disco y atornillela para fijarla lateralmente.
HDD及SSDをラックにマウントし、側面よりネジで締めて固定します。
Установите HDD/SSD в рамку и закрепите шурупы на сторонах.
將 HDD 硬碟或 SSD 固態硬碟放入支架中，鎖緊兩側螺絲。

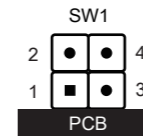
Connect the Serial ATA cable to the motherboard.
先將 Serial ATA 排線插入主機板的插槽。
Verbinden Sie das Serial-ATA Kabel mit dem Mainboard.
Relevez le câble Serial-ATA à la carte mère.
Conecte el cable Serial ATA con la placa base.
シリア/ATAケーブルをマザーボードに取り付けして下さい。
Подключите кабель Serial ATA к материнской плате.
將 Serial ATA 信号线插入主板上的 Serial ATA



01. Line-in port
音源輸入埠
Audio Line-In Eingang
Port d'entrée ligne
Entrada de audio Line-in
ラインインポート
Линейный вход
音源輸入端口
- 02/03. LAN ports
網路連接埠
Netzwerk-Anschlüsse
Prises LAN
Puertos LAN
LAN ポート
Сетевые LAN-порты
LAN 連接埠
03. USB 2.0 ports
USB 2.0 連接埠
USB 2.0-Anschlüsse
Prises USB 2.0
Puertos USB 2.0
USB 2.0 ポート
USB 2.0 порты
USB 2.0 連接埠
04. HDMI 2.0 port
HDMI 2.0 連接埠
HDMI 2.0-Anschluss
Prise HDMI 2.0
Puerto HDMI 2.0
HDMI 2.0 ポート
HDMI 2.0 порт
HDMI 2.0 連接埠
05. DisplayPort
DisplayPort 連接埠
DisplayPort
Prise DisplayPort
DisplayPort
ディスプレイポート
DisplayPort
DisplayPort 連接埠
06. PCIe x4 slot
PCIe x4 插槽
PCIe x4 Steckplatz
Emplacement PCIe x4
PCIe x4 Ranura
PCIe x4 スロット
Слоты PCIe x4
PCIe x4 插槽
07. Intel® W580 chipset
Intel® W580 晶片組
Intel® W580 Chipsatz
Chipset Intel® W580
Intel® W580 Conjunto de chips
Intel® W580 Чипсет
Набор микросхем Intel® W580
Intel® W580 芯片組
08. PCIe x16 slot
PCIe x16 插槽
PCIe x16 Steckplatz
Emplacement PCIe x16
PCIe x16 Ranura
PCIe x16 スロット
Слоты PCIe x16
PCIe x16 插槽
09. M.2 2230 E key slot
M.2 2230 E key 插槽
M.2-2230 (E) Steckplatz
Emplacement M.2 2230 E
Ranura M.2 2230 E
M.2 2230 E キースロット
Слот M.2 2230 E ключ
M.2 2230 E key 插槽
10. M.2 2242/2260/2280 M key slot w/ PCIe gen4
M.2 2242/2260/2280 M key 插槽 w/PCIe gen4
M.2-2242/2260/2280 M-Key Steckplatz mit PCIe Gen4
Emplacement M.2-2242/2260/2280 M-Key avec PCIe Gen4
Ranura M.2-2242/2260/2280 M-Key con PCIe Gen4
M.2 2242/2260/2280 M キースロット (PCIe Gen4)
Слот для ключей M.2 2242/2260/2280 M с PCIe gen4
M.2 2242/2260/2280 M key 插槽 w/PCIe gen4
11. M.2 2242/2260/2280 M key slot
M.2 2242/2260/2280 M key 插槽
M.2-2242/2260/2280 (M) Steckplatz
Emplacement M.2 2242/2260/2280 M
Ranura M.2 2242/2260/2280 M
M.2 2242/2260/2280 M キースロット
Слот M.2 2242/2260/2280 M ключ
M.2 2242/2260/2280 M key 插槽
12. SATA 3.0 6Gb/s connector
SATA 3.0 6Gb/s 插槽
SATA 3.0-Anschlüsse (6 Gb/s)
Connecteurs SATA 3.0 6Gb/s
Base de conexiones SATA 3.0 6Gb/s
SATA 3.0 6Gb/s コネクタ
Разъем SATA 3.0 6 Гбит/с
SATA 3.0 6Gb/s 接口
13. 4x 288-pin DDR4 DIMM slot
4x 288-pin DDR4 DIMM 插槽
4x 288-pin DDR4 DIMM Steckplatz
4x emplacements 288-pin pour DDR4 DIMM
4 ranuras DIMM DDR4 de 288 contactos Slots
4x 288-pin DDR4 DIMM スロット
4x 288 контактный Слот DDR4 DIMM
4x 288-pin DDR4 DIMM 插槽
14. Processor socket LGA 1200
LGA 1200 處理器插槽
Sockel für LGA 1200-CPU's
Socket Processeur LGA 1200
Zócalo LGA 1200 de CPU
Процессорный Слот LGA 1200
Разъем процессора LGA 1200
LGA 1200 处理器插槽
15. ATX power connector
電源連接埠
ATX-Netzteil-Anschluss
ATX-Netzteil-Anschluss
Prise d'alimentation ATX
Conector de alimentación ATX
ATX電源コネクタ
ATX разъем питания
ATX 电源插座
01. Line-in port
音源輸入埠
Audio Line-In Eingang
Port d'entrée ligne
Entrada de audio Line-in
ラインインポート
Линейный вход
音源輸入端口
02. USB 3.2 Gen2 Type-A Ports
USB 3.2 Gen2 Type-A 連接埠
USB 3.2 Gen2 Typ-A-Anschlüsse
Prises USB 3.2 Gen2 Type-A
Puertos USB 3.2 Gen2 tipo A
USB 3.2 Gen2 Type-A ポート
USB 3.2 Gen2 Type-A порты
DisplayPort
USB 3.2 Gen2 Type-A 端口

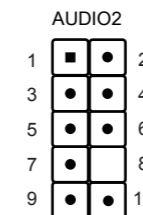
01. Line-in port
音源輸入埠
Audio Line-In Eingang
Port d'entrée ligne
Entrada de audio Line-in
ラインインポート
Линейный вход
音源輸入端口
02. USB 3.2 Gen2 Type-A Ports
USB 3.2 Gen2 Type-A 連接埠
USB 3.2 Gen2 Typ-A-Anschlüsse
Prises USB 3.2 Gen2 Type-A
Puertos USB 3.2 Gen2 tipo A
USB 3.2 Gen2 Type-A ポート
USB 3.2 Gen2 Type-A порты
DisplayPort
USB 3.2 Gen2 Type-A 端口
03. USB 2.0 ports
USB 2.0 連接埠
USB 2.0-Anschlüsse
Prises USB 2.0
Puertos USB 2.0
USB 2.0 ポート
USB 2.0 порты
USB 2.0 連接埠
04. HDMI 2.0 port
HDMI 2.0 連接埠
HDMI 2.0-Anschluss
Prise HDMI 2.0
Puerto HDMI 2.0
HDMI 2.0 ポート
HDMI 2.0 порт
HDMI 2.0 連接埠
05. DisplayPort
DisplayPort 連接埠
DisplayPort
Prise DisplayPort
DisplayPort
ディスプレイポート
DisplayPort
DisplayPort 連接埠
06. PCIe x4 slot
PCIe x4 插槽
PCIe x4 Steckplatz
Emplacement PCIe x4
PCIe x4 Ranura
PCIe x4 スロット
Слоты PCIe x4
PCIe x4 插槽
07. Intel® W580 chipset
Intel® W580 晶片組
Intel® W580 Chipsatz
Chipset Intel® W580
Intel® W580 Conjunto de chips
Intel® W580 Чипсет
Набор микросхем Intel® W580
Intel® W580 芯片組
08. PCIe x16 slot
PCIe x16 插槽
PCIe x16 Steckplatz
Emplacement PCIe x16
PCIe x16 Ranura
PCIe x16 スロット
Слоты PCIe x16
PCIe x16 插槽
09. M.2 2230 E key slot
M.2 2230 E key 插槽
M.2-2230 (E) Steckplatz
Emplacement M.2 2230 E
Ranura M.2 2230 E
M.2 2230 E キースロット
Слот M.2 2230 E ключ
M.2 2230 E key 插槽
10. M.2 2242/2260/2280 M key slot w/ PCIe gen4
M.2 2242/2260/2280 M key 插槽 w/PCIe gen4
M.2-2242/2260/2280 M-Key Steckplatz mit PCIe Gen4
Emplacement M.2-2242/2260/2280 M-Key avec PCIe Gen4
Ranura M.2-2242/2260/2280 M-Key con PCIe Gen4
M.2 2242/2260/2280 M キースロット (PCIe Gen4)
Слот для ключей M.2 2242/2260/2280 M с PCIe gen4
M.2 2242/2260/2280 M key 插槽 w/PCIe gen4
11. M.2 2242/2260/2280 M key slot
M.2 2242/2260/2280 M key 插槽
M.2-2242/2260/2280 (M) Steckplatz
Emplacement M.2 2242/2260/2280 M
Ranura M.2 2242/2260/2280 M
M.2 2242/2260/2280 M キースロット
Слот M.2 2242/2260/2280 M ключ
M.2 2242/2260/2280 M key 插槽
12. SATA 3.0 6Gb/s connector
SATA 3.0 6Gb/s 插槽
SATA 3.0-Anschlüsse (6 Gb/s)
Connecteurs SATA 3.0 6Gb/s
Base de conexiones SATA 3.0 6Gb/s
SATA 3.0 6Gb/s コネクタ
Разъем SATA 3.0 6 Гбит/с
SATA 3.0 6Gb/s 接口
13. 4x 288-pin DDR4 DIMM slot
4x 288-pin DDR4 DIMM 插槽
4x 288-pin DDR4 DIMM Steckplatz
4x emplacements 288-pin pour DDR4 DIMM
4 ranuras DIMM DDR4 de 288 contactos Slots
4x 288-pin DDR4 DIMM スロット
4x 288 контактный Слот DDR4 DIMM
4x 288-pin DDR4 DIMM 插槽
14. Processor socket LGA 1200
LGA 1200 處理器插槽
Sockel für LGA 1200-CPU's
Socket Processeur LGA 1200
Zócalo LGA 1200 de CPU
Процессорный Слот LGA 1200
Разъем процессора LGA 1200
LGA 1200 处理器插槽
15. ATX power connector
電源連接埠
ATX-Netzteil-Anschluss
ATX-Netzteil-Anschluss
Prise d'alimentation ATX
Conector de alimentación ATX
ATX電源コネクタ
ATX разъем питания
ATX 电源插座

- J1 Clear CMOS & power button & +5V
清除 CMOS & 電源按鈕 & +5V
Clear CMOS & Power Button & +5V
Reset CMOS & Bouton d'alimentation & +5V
Clear CMOS & Botón de encendido & +5V
CMOSクリア & 電源スイッチ & +5V
Сброс CMOS, внешняя кнопка питания, +5 В
清除 CMOS & 电源按钮 & +5V



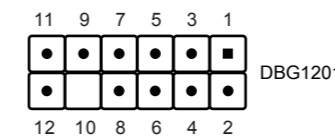
- 1=RTC Reset
2=VCC_AUX (Power source 5.0V/0.5A)
(Enable in S0 mode only)
3=GND
4=Power SW

- J2 Front audio header
前面板音效插座
Audio-Anschluss für Vorderseite
Connecteur audio pour façade
Conector de audio del panel frontal
前面オーディオヘッド
Передний Аудио разъем
前面板音效插座



- 1=Microphone input L
2=Audio GND
3=Microphone input R
4=Front panel daughter board detection (Low active)
5=Headphone out R
6=Microphone audio jack detect
7=Front panel audio jack sense
8=NULL
9=Headphone out L
10=Headphone audio jack detect

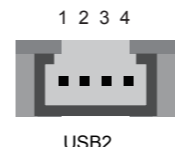
- J3 Debug header
Debug 插座
Debug-Anschluss
Connecteur Debug
Conexión Debug
デバッグヘッド
Отладочный разъем
Debug 接头



- 1=eSPI clock signal
2=eSPI IO_1 signal
3=PCIe platform reset
4=eSPI IO_0 signal
5=eSPI chip select signal (Low active)
6=3VSB (Power source 3.0V)
7=eSPI IO_3 signal
8=GND (Power Ground)
9=eSPI IO_2 signal
10=NULL
11=eSPI alert signal (Low active)
12=eSPI reset signal (Low active)

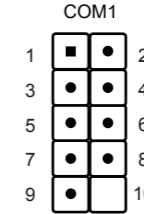
- J4 USB 2.0 cable connector
USB 2.0 排線插座
Anschluss für USB 2.0-Kabel
Connecteur câble USB 2.0
Conexión para cable USB 2.0
USB 2.0ケーブルコネクタ
Разъем USB 2.0-кабеля
USB 2.0扁平电缆插座

- 1=GND (Power Ground)
2=Data+ (USB 2.0 Data pin)
3=Data- (USB 2.0 Data pin)
4=VBUS (USB power 5.0V/0.5A)

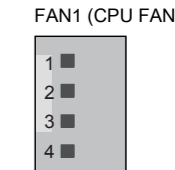


- J5 COM header
COM 插座
COM-Anschluss
Connecteur COM
Base de conexiones COM
COM コネクタ
Разъем COM
COM 插座

- 1=DCD
2=RXD
3=TXD
4=DTR
5=GND
6=DSR
7=RTS
8=CTS
9=-XRI1
10=NULL

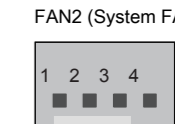


- J6 Fan connector
風扇連接埠
Lüfteranschluss
Connecteur ventilateur
Conector del ventilador
FAN コネクタ
Разъем вентилятора
風扇插座

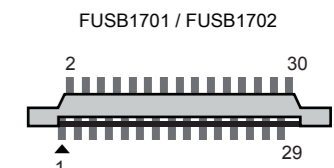


- 1=GND
2=+12V
3=FAN IO
4=FAN PWM

- J7 Front USB 3.0 header
前置 USB 3.0 插座
USB-3.0-Anschluss (für vorne)
Port USB 3.0 (façade)
Conexión delantera USB 3.0
フロントUSB 3.0 用ピンヘッド
Разъем USB 3.0 порта (передняя панель)
前置 USB 3.0 插座



- 1=3VSB (Power source 3.3V)
2=5V_DUAL (Power Source 5.0V)
3=5V_DUAL (Power Source 5.0V)
4=5V_DUAL (Power Source 5.0V)
5=USB Power ON (Low active)
6=GND
7=USB3.2 Gen1 port 1 RX_N
8=USB3.2 Gen1 port 1 RX_P
9=GND
10=USB3.2 Gen1 port 1 TX_N
11=USB3.2 Gen1 port 1 TX_P
12=GND
13=USB2.0 Port 1 Data N
14=USB2.0 Port 1 Data P
15=GND
16=GND
17=USB2.0 Port 2 Data P
18=USB2.0 Port 2 Data N
19=GND
20=USB3.2 Gen1 port 2 TX_P
21=USB3.2 Gen1 port 2 TX_N
22=GND
23=USB3.2 Gen1 port 2 RX_P
24=USB3.2 Gen1 port 2 RX_N
25=GND
26=USB Power ON (Low active)
27=5V_DUAL (Power Source 5.0V)
28=5V_DUAL (Power Source 5.0V)
29=5V_DUAL (Power Source 5.0V)
30=3VSB (Power source 3.3V)



- J8 Connector for front buttons/LEDs
電源按鈕/LED插座
Anschluss für vordere Buttons/LEDs
Connexion pour les boutons en façade
Conexión para pulsadores frontales/LEDs
フロントボタンLED用コネクタ
Разъем для кнопок / LED-индикаторов передней панели
电源按钮/LED插座

- 1=HDD LED P
2=Power LED P
3=HDD LED N
4=Power LED N
5=System reset (Low active)
6=Power switch (Low active)
7=GND
8=GND
9=NA
10=NULL

