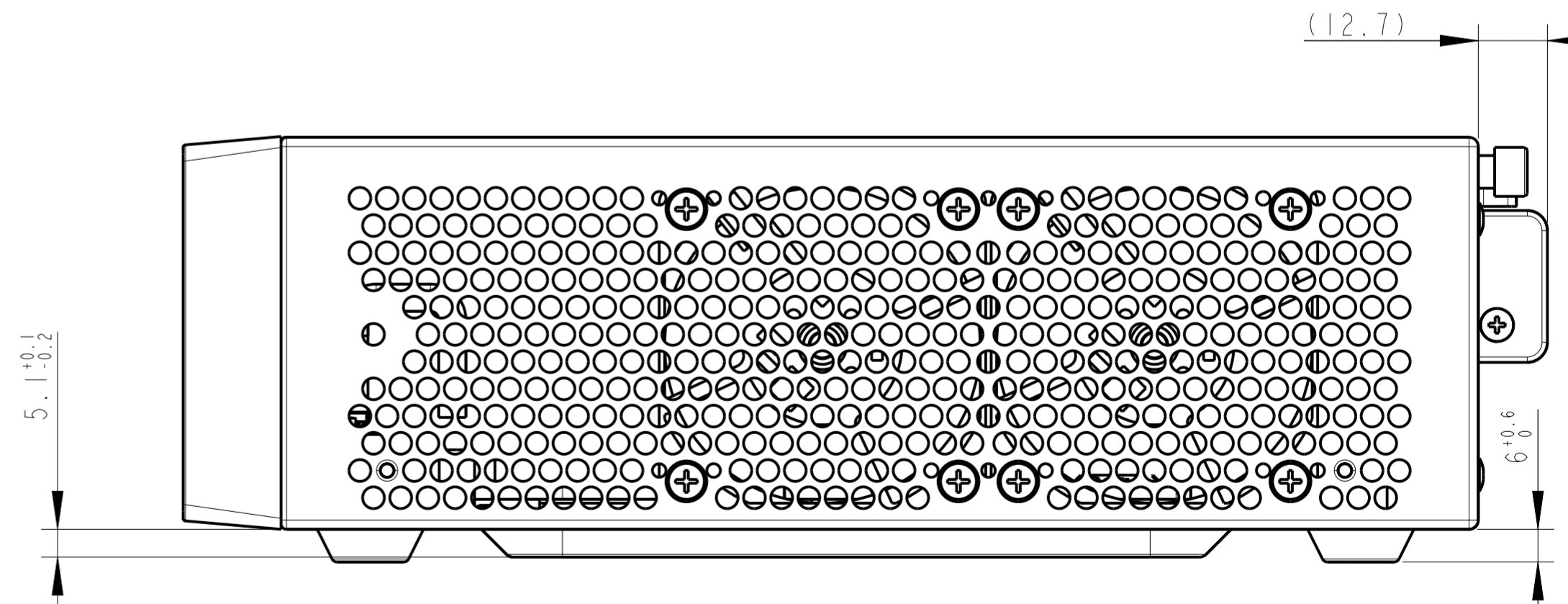
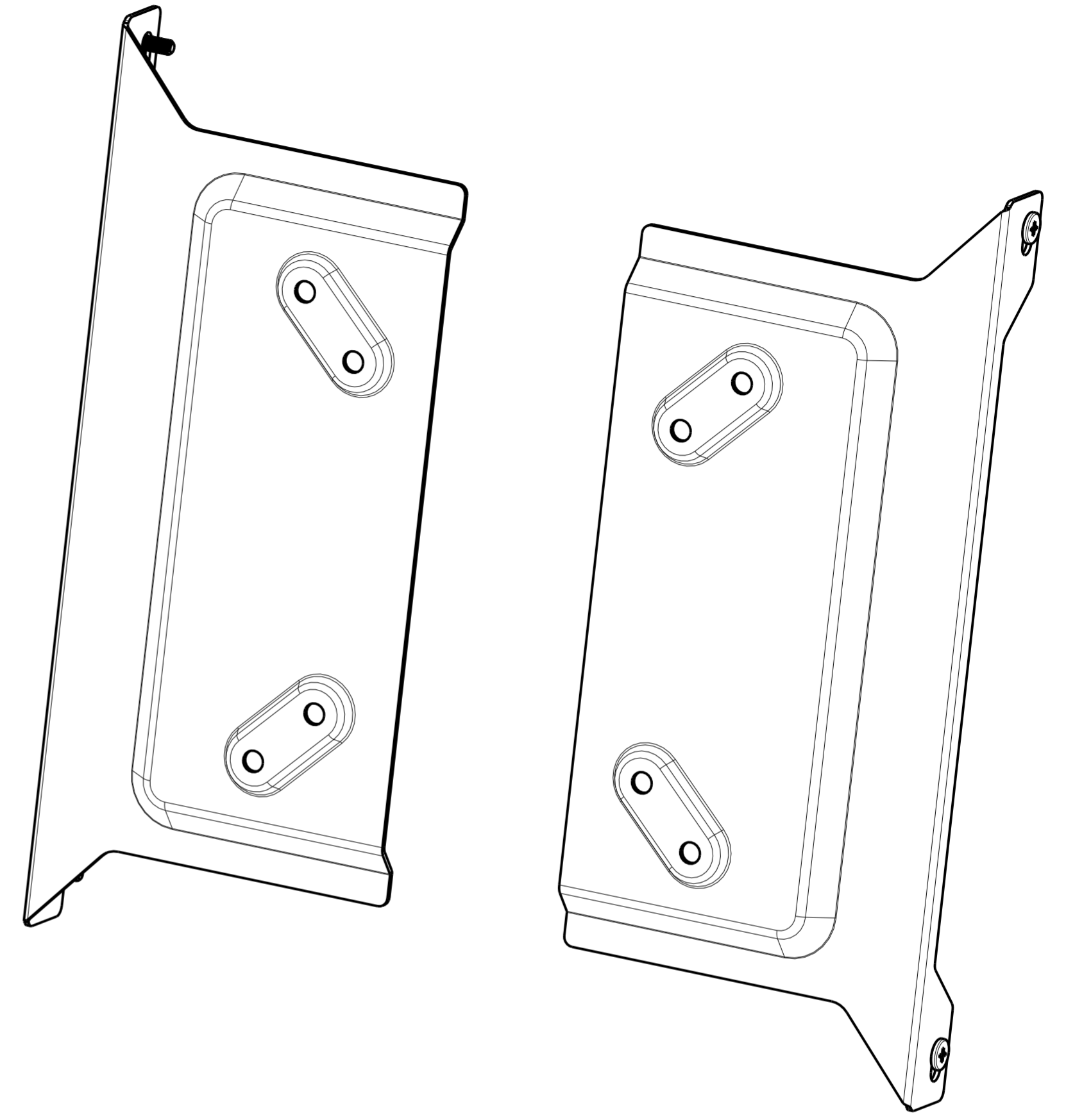
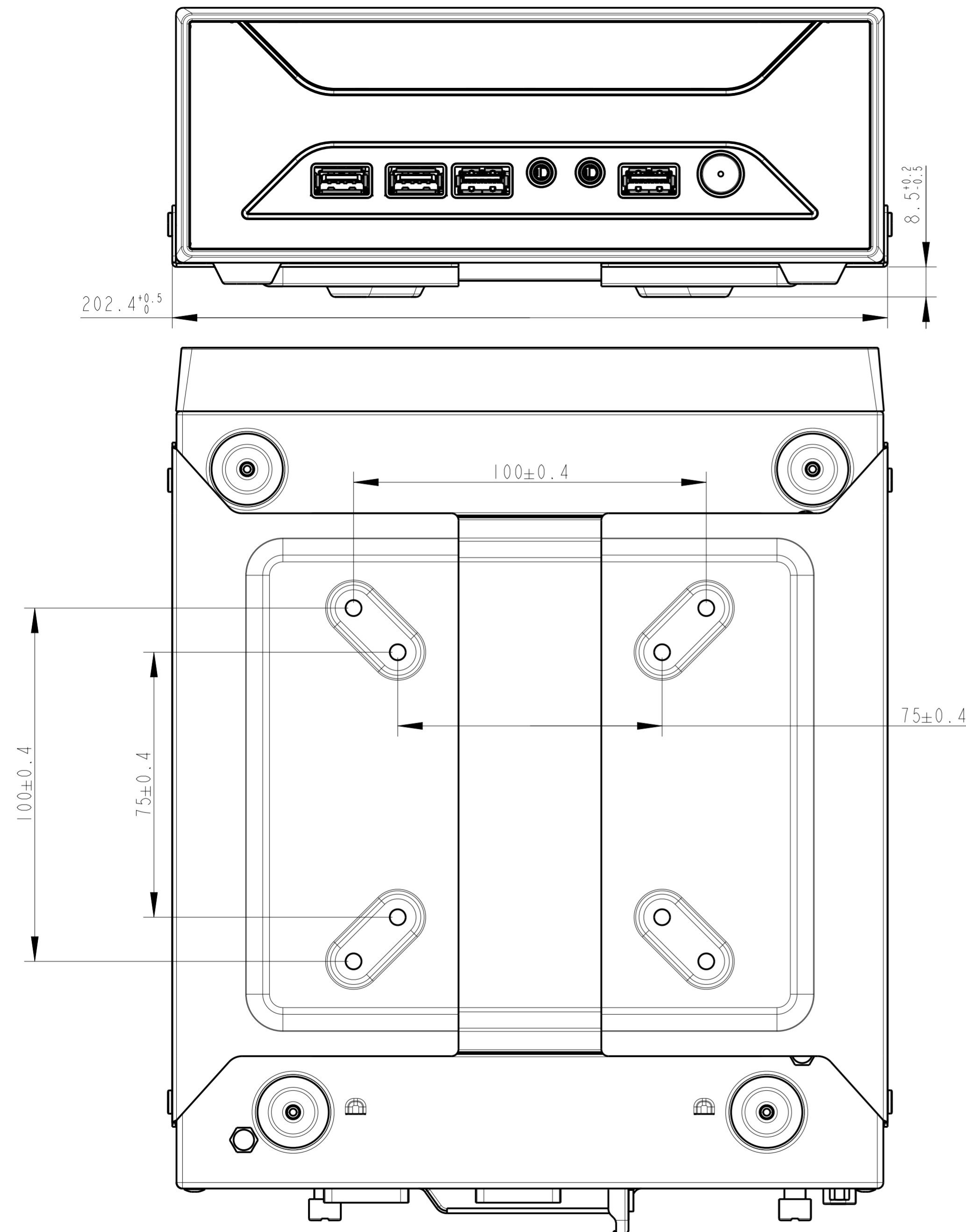


SCALE 0.800



				TOL±								MATERIAL		DATE		SHEET 1		TOTAL SHEETS 2		REV.	
				RANGE	M1	M2	S1	S2	P1	P2	C	B	UNIT	SCALE	DRAWING NAME	ASM_CASE_XH610G					
				0-6	0.05	0.1	0.15	0.2	0.05	0.1	0.5	0.15	mm	1.000	PART NO.	62R-XH610C-0701					
				6-30	0.1	0.2	0.15	0.25	0.1	0.15	1	0.15	DESIGN	CHECKED	APPROVED						
				30-80	0.15	0.25	0.2	0.3	0.2	0.4	2	0.25	jack.chen								
				80-180	0.15	0.3	0.25	0.45	0.4	0.8	3	0.25									
				180-315	0.2	0.5	0.4	0.6	0.6	1.2	4	0.3									
				315-800	0.3	0.8	0.7	1.1	0.8	1.5	5	0.5									
ITEM	CONTENS OF CHANGE			RVS	CHK	APV	D/M/Y														

SHUTTLE



TOL±		MATERIAL		DATE		SHEET		TOTAL SHEETS		REV.	
RANGE	MI	M2	S1	S2	PI	P2	C	B	UNIT	SCALE	DRAWING NAME
0-6	0.05	0.1	0.15	0.2	0.05	0.1	0.5	0.15	mm	1.000	XH410G_VESA_MOUNT
6-30	0.1	0.2	0.15	0.25	0.1	0.15	1	0.15	DESIGN	CHECKED	PART NO.
30-80	0.15	0.25	0.2	0.3	0.2	0.4	2	0.25	APPROVED	APPROVED	MODEL NAME
80-180	0.15	0.3	0.25	0.45	0.4	0.8	3	0.25	jack.chen		XH410G
180-315	0.2	0.5	0.4	0.6	0.6	1.2	4	0.3			SHUTTLE
315-800	0.3	0.8	0.7	1.1	0.8	1.5	5	0.5			

ITEM	CONTENS OF CHANGE	RVS	CHK	APV	D/M/Y