

202.4<sup>+0.5</sup><sub>0</sub>

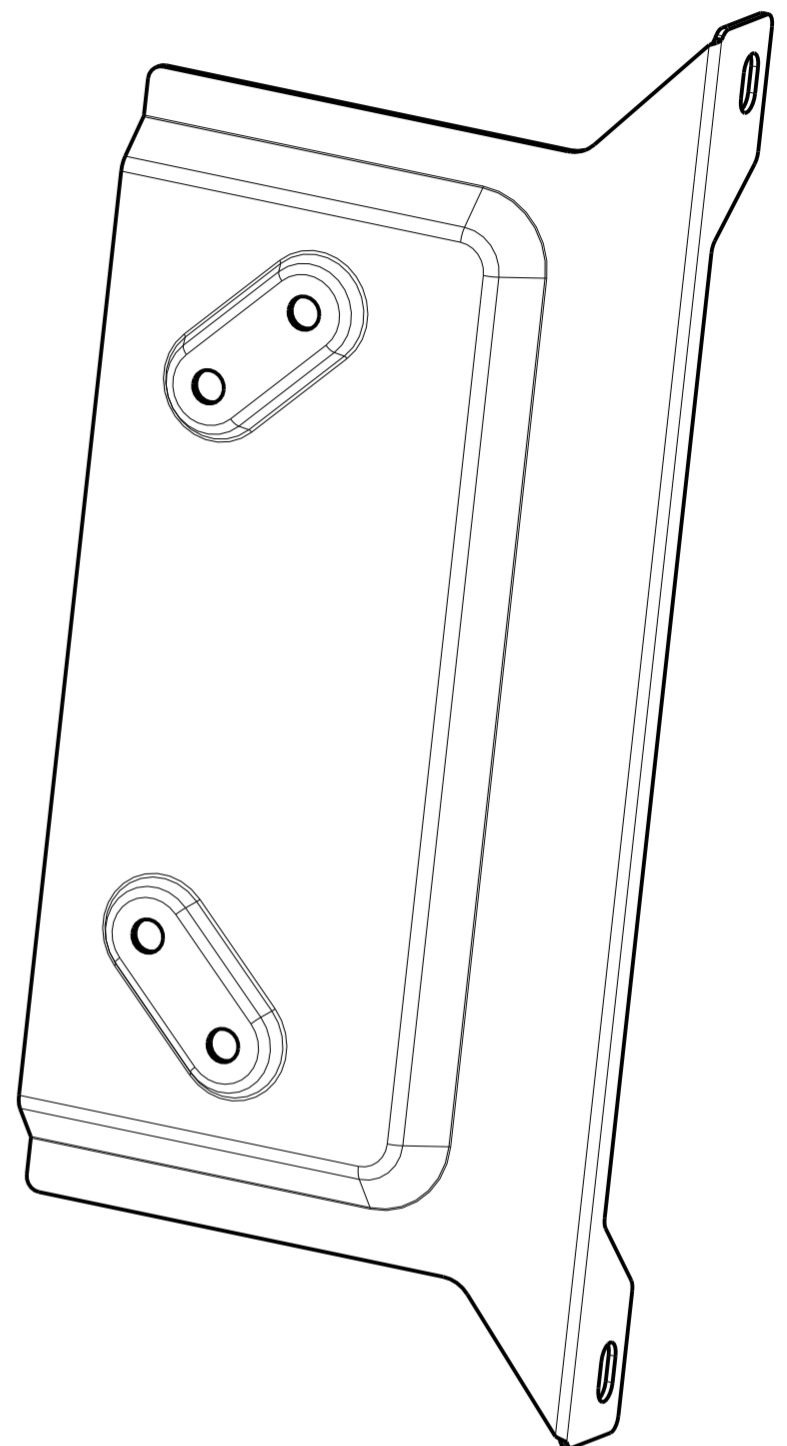
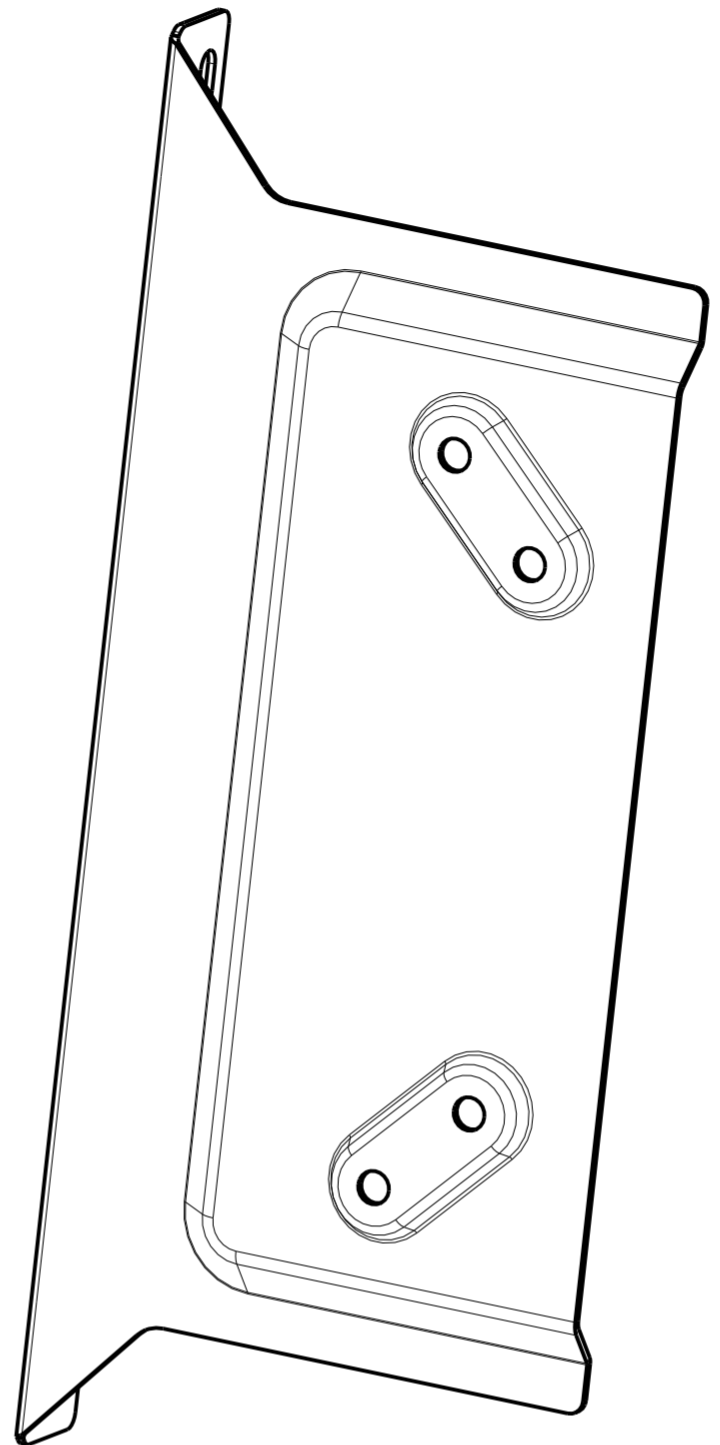
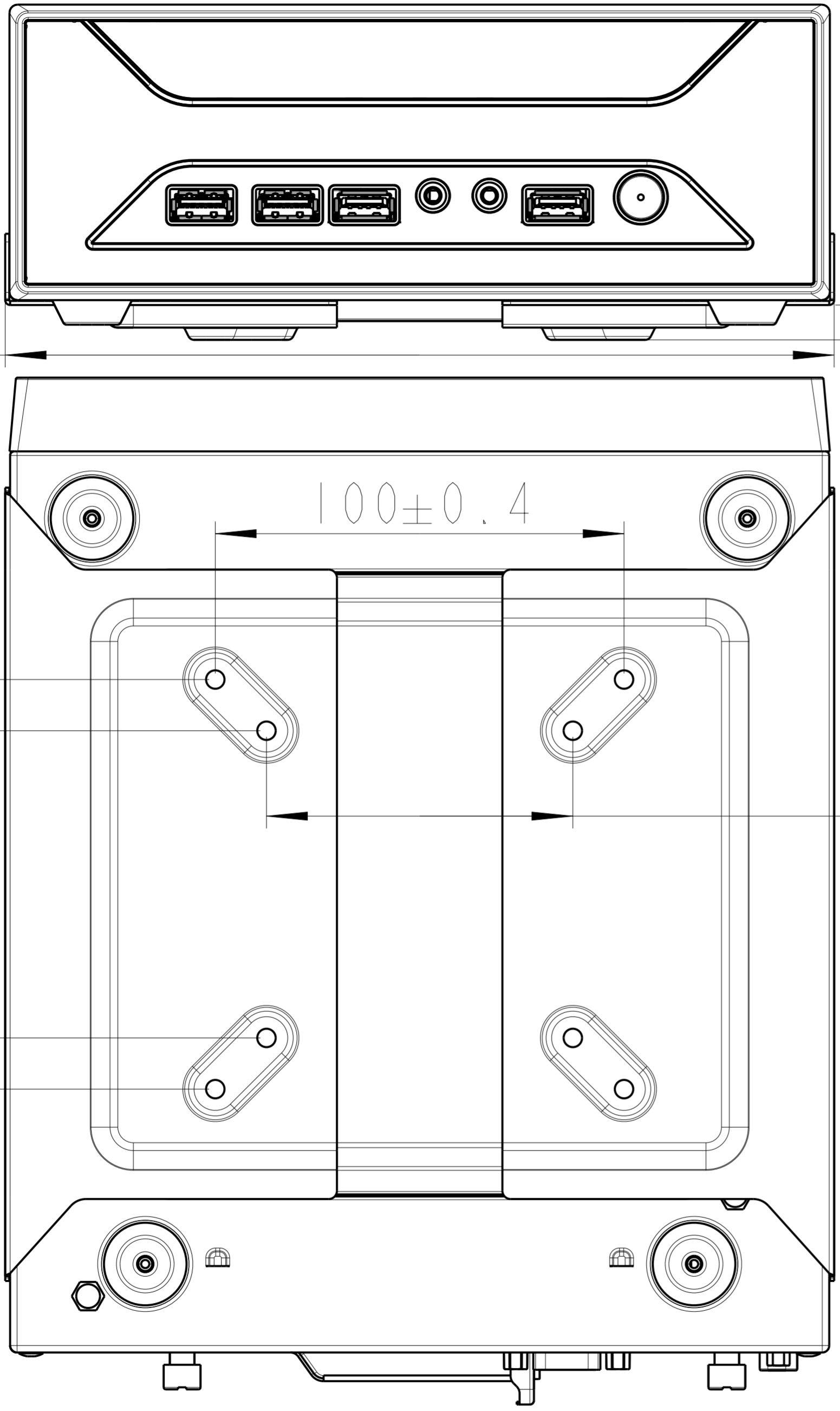
8.5<sup>+0.2</sup><sub>-0.5</sub>

100±0.4

75±0.4

100±0.4

75±0.4



										TOL±		MATERIAL		SGCC T:1.0MM		DATE		20-06-30		SHEET		TOTAL SHEETS		REV.			
										RANGE	MI	M2	SI	S2	PI	P2	C	B	UNIT	mm	SCALE	1.000	DRAWING NAME	XH410G_VESA_MOUNT			
										0-6	0.05	0.1	0.15	0.2	0.05	0.1	0.5	0.15	DESIGN	CHECKED	APPROVED	PART NO.					
										6-30	0.1	0.2	0.15	0.25	0.1	0.15	1	0.15	jack_chen			MODEL NAME	XH410G		<i>SHUTTLE</i>		
										30-80	0.15	0.25	0.2	0.3	0.2	0.4	2	0.25									
										80-180	0.15	0.3	0.25	0.45	0.4	0.8	3	0.25									
										180-315	0.2	0.5	0.4	0.6	0.6	1.2	4	0.3									
										315-800	0.3	0.8	0.7	1.1	0.8	1.5	5	0.5									
ITEM	CONTENS OF CHANGE				RVS	CHK	APV	D/M/Y																			